

ASC SERIES

DUMP PUMP CONSOLE



IN CAB CONTROL CONSOLE

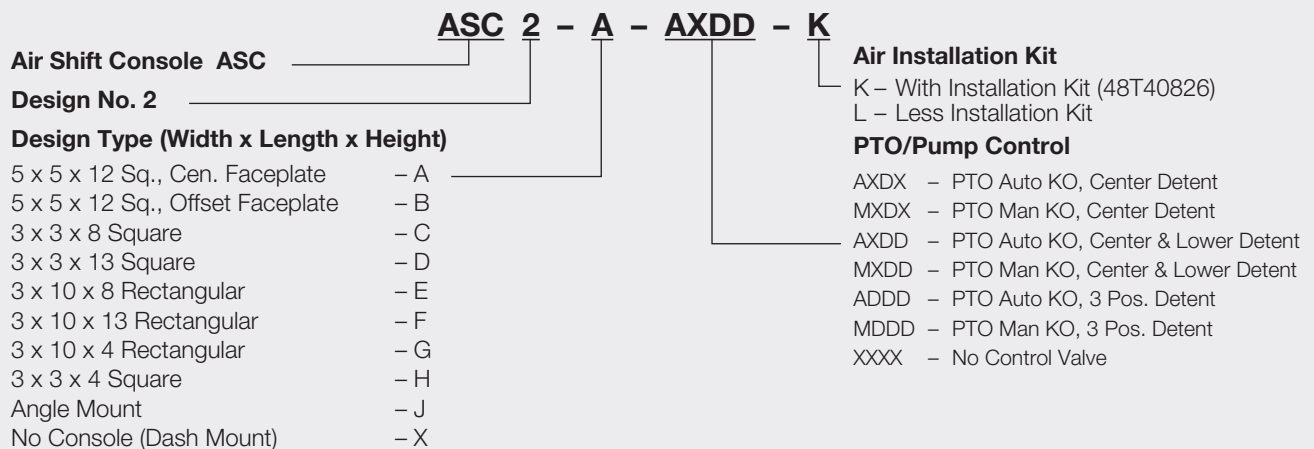
Put yourself in control with Muncie Power Products' new air controls for PTO and dump pump operation. The compact air control provides feathering control for lowering the body. Center detent is standard for all models with detent options for raise, lower, or both. The PTO is engaged through finger tip control of a simple lever. You can choose either manual PTO disengagement or automatic (kick out) when the dump lever is placed into the lower position. Quality consoles are designed for form, fit, and function, with choices like you've never seen before. Choose from short, tall, square, rectangular, compact, or "room to grow." Durable, attractive black powder coat provides a quality finish.



KEY FEATURES

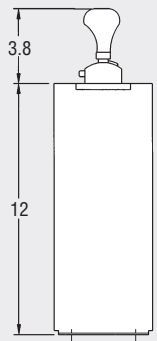
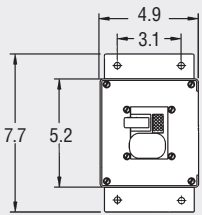
- 6 Models — Center detent (Standard), optional lower detent or 3rd detent in raise position
- Automatic or manual PTO kickout for lower position
- LED PTO indicator light
- Push-to-connect fittings (Standard in valve and air installation kits)
- 9 Styles — Brushed aluminum plate on most models
- Small size for easy dash mounting
- 4 Height options — 4", 8" or 13" on most models, 12" Standard on Type A or B
- Black powder coat finish on all models
- Some models provide a large mounting surface for extra switches, lights, valves, etc.
- Symmetrical design on most models for installation on either side of driver's seat
- Angle mount for floor or dash

AIR CONSOLE MODEL NUMBER CONSTRUCTION

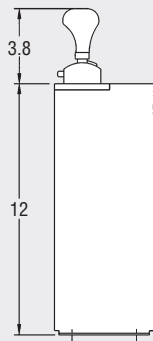
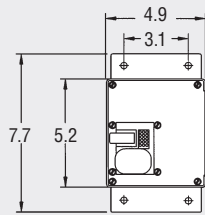


DIMENSIONS

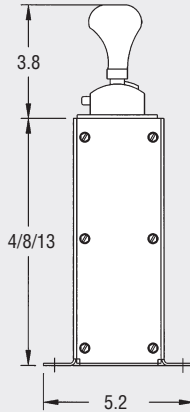
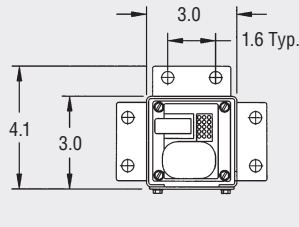
**CONSOLE
TYPE A**



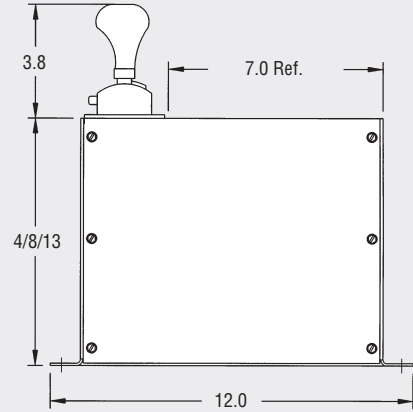
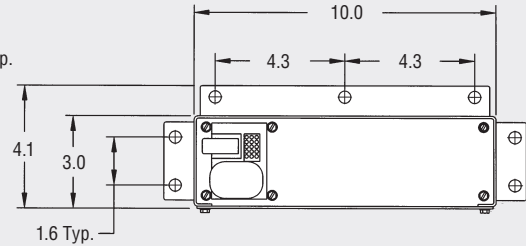
**CONSOLE
TYPE B**



**CONSOLE
TYPE C/D/H**



**CONSOLE
TYPE E/F/G**



PTO/PUMP CONTROL

35T40821-AXDX	PTO Auto KO, Center Detent
35T40821-MXDX	PTO Man KO, Center Detent
35T40821-AXDD	PTO Auto KO, Center & Lower Detent
35T40821-MXDD	PTO Man KO, Center & Lower Detent
35T40821-ADDD	PTO Auto KO, 3 Pos. Detent
35T40821-MDDD	PTO Man KO, 3 Pos. Detent

**CONSOLE
TYPE J**

