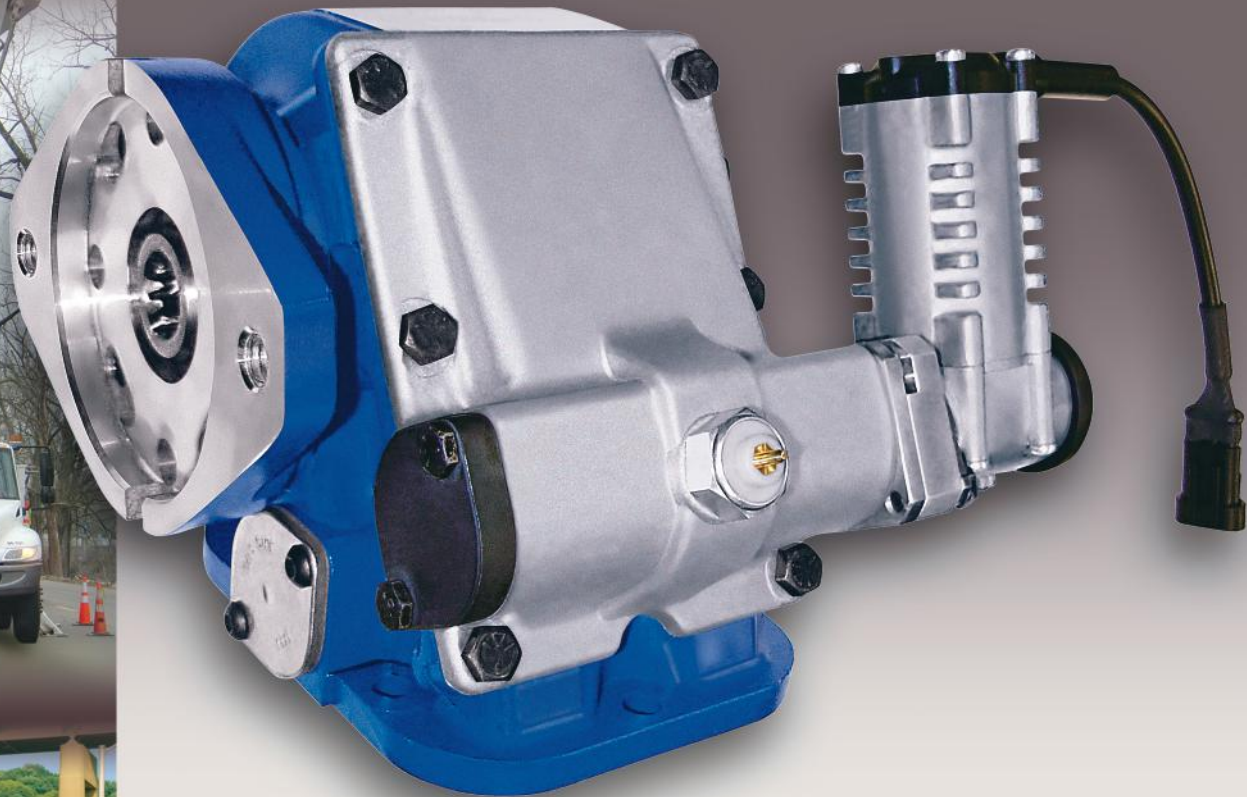




HYDRA SHIFT[®]

INTRODUCING THE MUNCIE E-HYDRA SHIFT SYSTEM FOR THE TG SERIES PTO.



The E-Hydra's unique design is adapted from a current production product and modified to fit the TG series PTO to extend its worldwide use. The product has millions of cycles of laboratory and real world usage to validate the design.

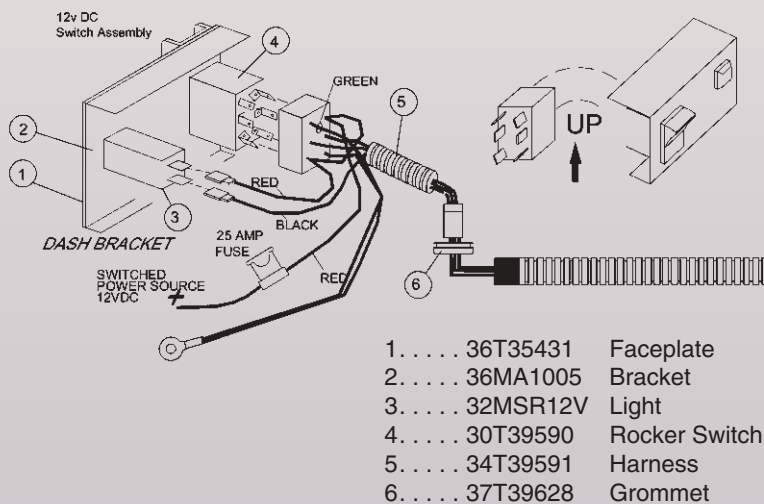
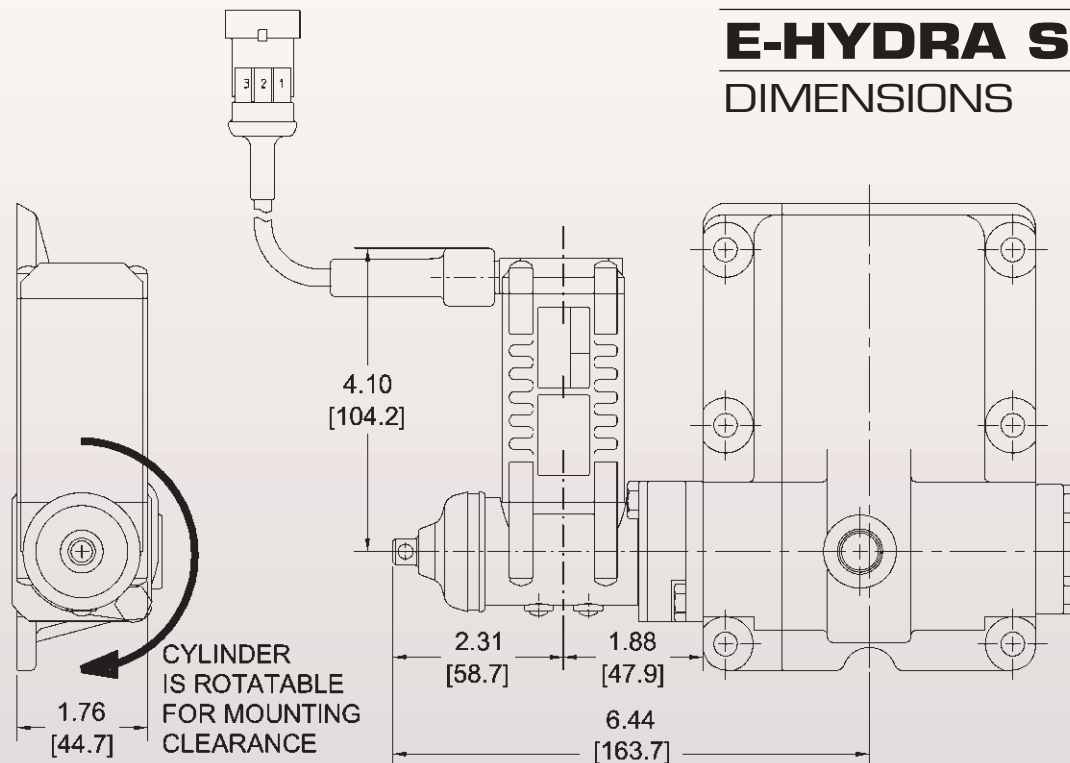
The E-Hydra is an excellent choice over control cables or where air is not available. Useable on any application where the TG PTO is specified (Manual or Automatic transmissions*). The design and variable position concept makes it easy to install on most vehicle applications.

- Simple electrically controlled shifter which uses hydraulic force to engage the PTO.
- Simple double throw switch allows you to push to engage and push to disengage the PTO.
- Low current draw during engage & disengage cycle.
- No current draw in the On or Off position.
- Easy connections with pre-wired connectors.
- Manual override connection provided.



**Requires proper activation procedures as specified in the PTO owner's manual.*

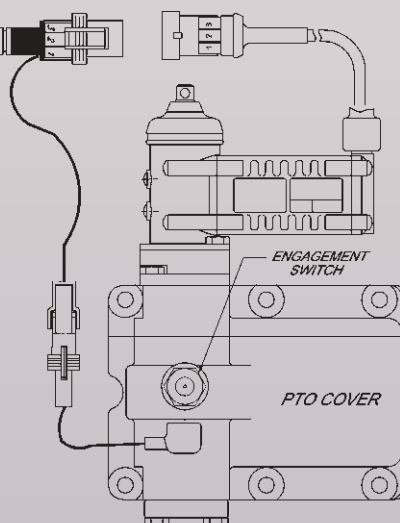
E-HYDRA SHIFT DIMENSIONS



WIRING DIAGRAM FOR E-HYDRA SHIFT TG SERIES

Activation Kit # 48TK4686

- 1..... 36T35431 Faceplate
- 2..... 36MA1005 Bracket
- 3..... 32MSR12V Light
- 4..... 30T39590 Rocker Switch
- 5..... 34T39591 Harness
- 6..... 37T39628 Grommet



CONVERSION KITS:

KIT	ASS'Y	DESCRIPTION
16TK4682	1 or 4	Standard TG Series PTO
16TK4683	2 or 3	Standard TG Series PTO
16TK4844	1 or 4	Allison 1000/2000 Series Trans.
16TK4845	2 or 3	Allison 1000/2000 Series Trans.



MP05-01 (Rev. 1-07) Printed in the U.S.A.
© Muncie Power Products, Inc. 2007

Muncie Power Products, Inc. Member of the Interpump Hydraulics Group
General Offices and Distribution Center • P.O. Box 548 • Muncie, IN 47308-0548
(765) 284-7721 • FAX (765) 284-6991 • E-mail info@munciepower.com
Web site <http://www.munciepower.com>

Drive Products, Exclusive Agents for Canada, ISO Certified by an Accredited Registrar