

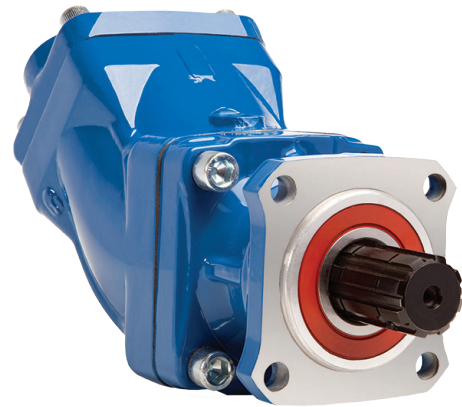
T SERIES

BENT AXIS PISTON PUMP



ULTIMATE POWER AND PERFORMANCE IN A SMALL PACKAGE

This fixed displacement bent axis piston pump is designed exclusively for high pressure applications. The T Series has a strong efficiency and rugged design providing for top-of-the-line performance and extra long life.



KEY FEATURES

- Five standard sizes 7–29 GPM (26–108 LPM)
- Pressures to 6,525 PSI (450 BAR) continuous duty
- Speeds up to 2,300 RPM
- Double shaft seals (047–108 cc.)
- PT2-025: High pressure pump with UNI mount for Ford trucks with F20 Series PTO
- BSPP straight thread
- DIN 5462 4-Bolt shaft and flange (047–108 cc.)
- Small lightweight design
- Full one-year warranty
- Complimentary mounts are available on most Muncie Power series power take-offs

PISTON PUMP SPECIFICATIONS

MODEL NO.	DISPLACEMENT CU.IN. (CC.)	MAX. RPM	MIN. RPM	MAX. PSI (BAR)	MAX. INLET VACUUM	APPROX. WEIGHT LBS. (KG.)	PORTS	
							INLET (BSPP)	OUTLET (BSPP)
PT2-025*	1.56 (25.6)	2,300	300	6,525 (450)	6 in.Hg. (.20 BAR)	13.9 (6.3)	3/4	1/2
PT2-047	2.87 (47)	1,900	300	6,525 (450)	6 in.Hg. (.20 BAR)	23.1 (10.5)	1	3/4
PT2-064	3.91 (64)	1,900	300	6,525 (450)	6 in.Hg. (.20 BAR)	29.8 (13.5)	1 1/4	1
PT2-084	5.13 (84)	1,600	300	5,800 (400)	6 in.Hg. (.20 BAR)	29.8 (13.5)	1 1/4	1
PT2-108	6.59 (108)	1,500	300	5,075 (350)	6 in.Hg. (.20 BAR)	29.8 (13.5)	1 1/4	1

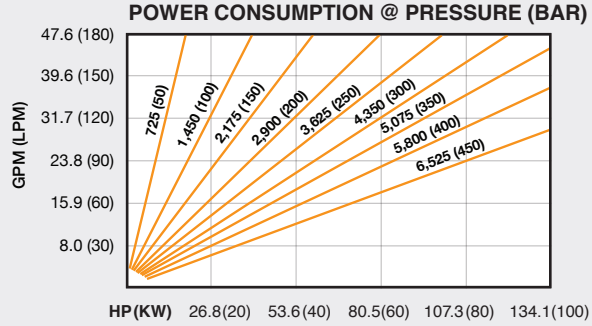
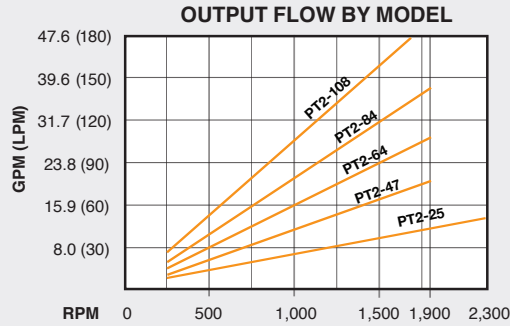
Approximate Weights: 13.9–29.8 lbs. (6.3–13.5 Kg.)

Maximum Oil Temperature: 180° F (82° C) **Filter:** 10 Micron return line filtration recommended

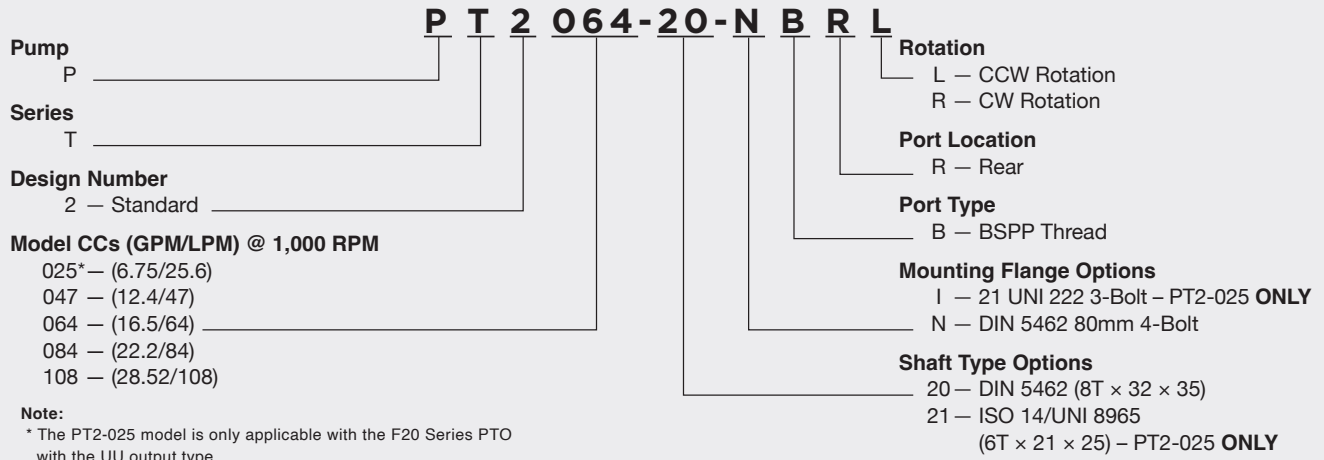
Recommended Oil Viscosity: 78–220 SUS (15–46 cSt), 5,000 SSU (1,000 cSt) max. start-up

Note: * The PT2-025 model is only applicable with the F20 Series PTO with the UU output type.

PUMP PERFORMANCE



MODEL NUMBER CONSTRUCTION



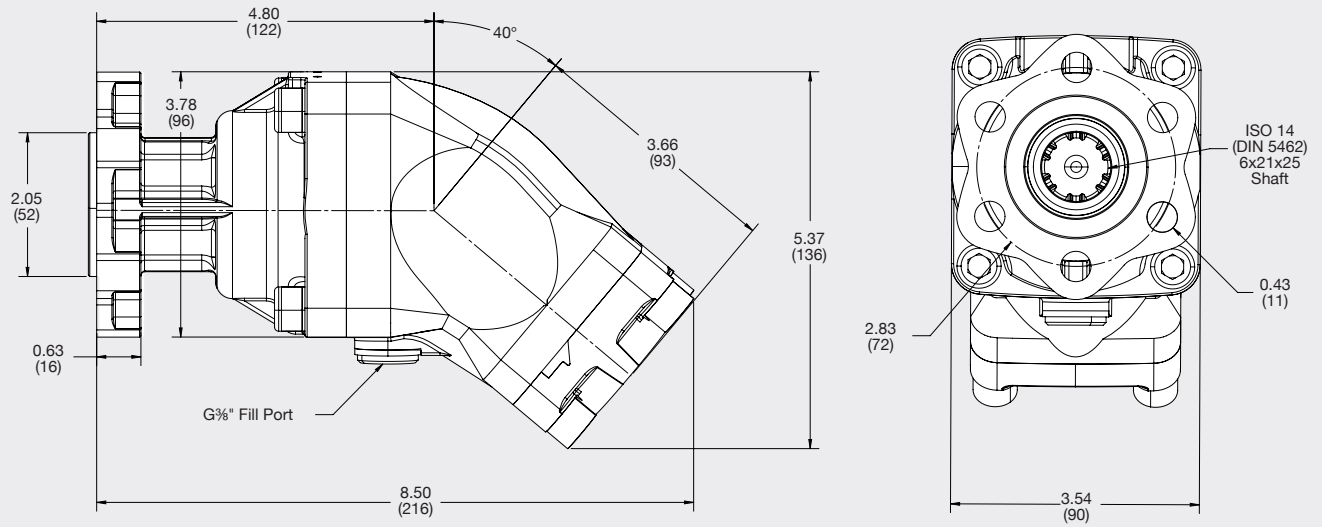
OPTIONAL FITTINGS

Optional low pressure and high pressure fittings provided for easy connection to typical North American hoses and thread types.

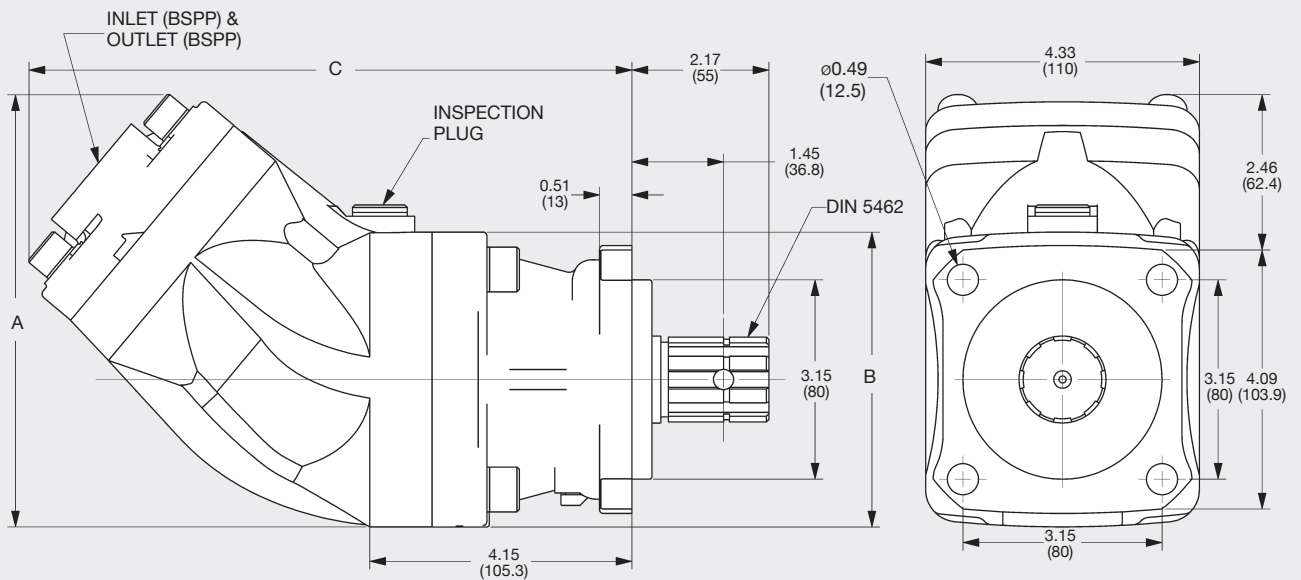
MODEL NO.	DESCRIPTION	MODEL NO.	DESCRIPTION
R4BP-20-12	1¼" hose barb, to ¾" male BSPP, swivel	PB-MJ90-12-12P	¾" male BSPP, 90°, to -12 male JIC
R4BP45-24-16B	1½" hose barb, 45°, to 1" male BSPP, swivel	BP-MJ90-12-16P	¾" male BSPP, 90°, to -16 male JIC
R4BP45-32-20B	2" hose barb, 45°, to 1¼" male BSPP, swivel	BP-MJ-16-12P	1" male BSPP, to -12 male JIC
R4BP90-32-20B	2" hose barb, 90°, to 1¼" male BSPP, swivel	BP-MJ-16-16P	1" male BSPP, to -16 male JIC
HC-20-HD	Heavy duty 1¼" hose clamp	BP-MJ45-16-16P	1" male BSPP, 45°, to -16 male JIC
HC-32-HD	Heavy duty 2" hose clamp	BP-MJ90-16-16P	1" male BSPP, 90°, to -16 male JIC
BP-MJ-12-12P	¾" male BSPP, to -12 male JIC	BP-MJ-20-20P	1¼" male BSPP, to -20 male JIC
BP-MJ45-12-12P	¾" male BSPP, 45°, to -12 male JIC	BP-FBP-16-20	1" male BSPP, to 1¼" female BSPP

MOUNTING DIMENSIONS

PT2-025 MODEL



ALL OTHER MODELS



MODEL	DIM A	DIM B	DIM C
47	6.18 (157)	4.21 (107)	8.66 (220)
64, 84, 108	6.81 (173)	4.64 (118)	9.44 (240)



A Member of the Interpump Group

MP07-05 (Rev. 11-21)

201 East Jackson Street, Muncie, Indiana 47305
800-367-7867 • Fax: 765-284-6991 • info@munciepower.com

Specifications are subject to change without notice. Visit www.munciepower.com
for warranties and literature. All rights reserved. © Muncie Power Products, Inc. (2007)