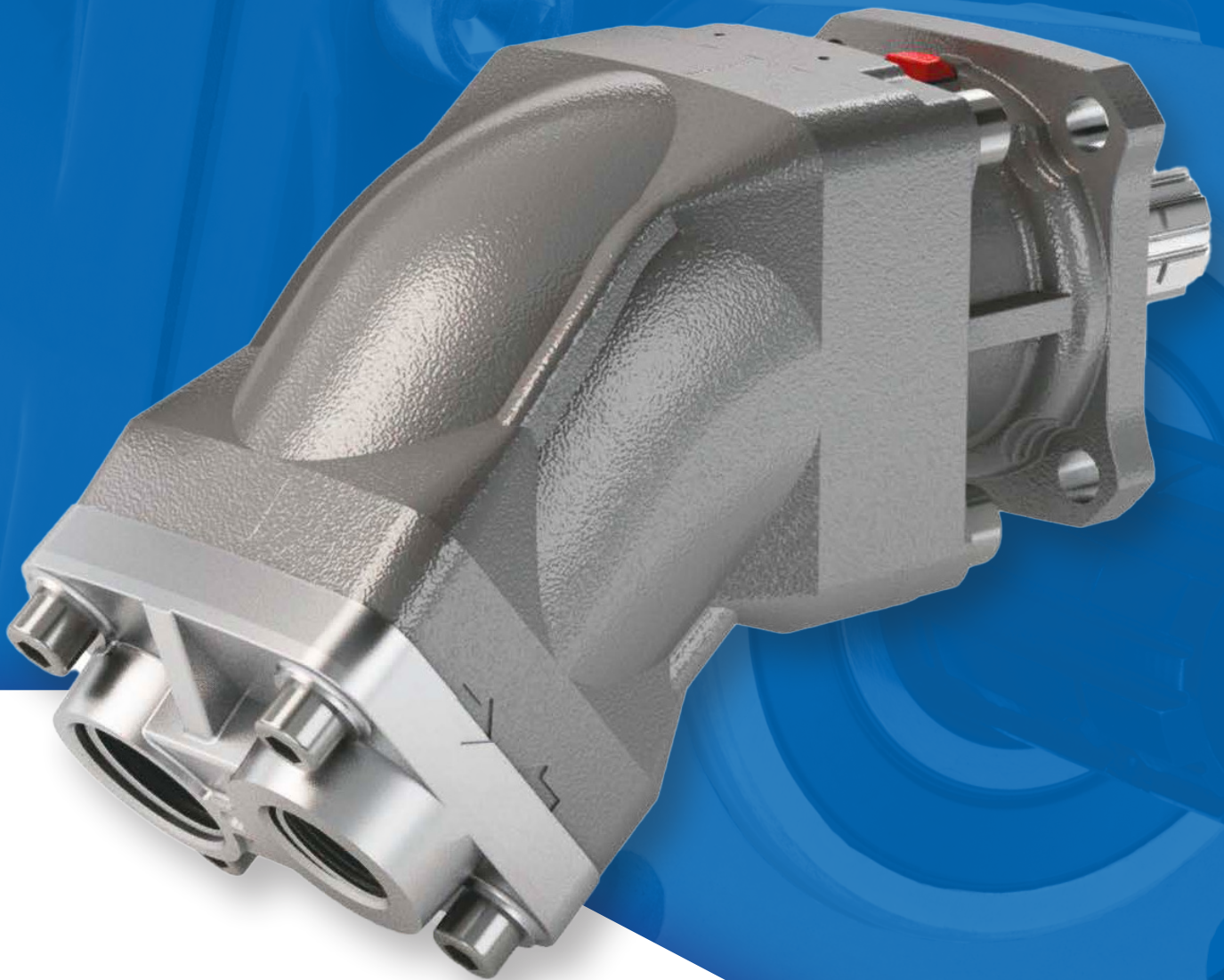




# FX SERIES

BENT AXIS PISTON PUMP







## ULTIMATE POWER AND PERFORMANCE IN A SMALL PACKAGE

Muncie Power's bent axis piston pumps are designed for higher operating pressures than traditional gear pumps. All piston pumps mount directly to the power take-off with a standard European DIN 5462 or a ISO 14/UNI 8965 shaft. Complimentary mounts are available on most Muncie Power PTO series.

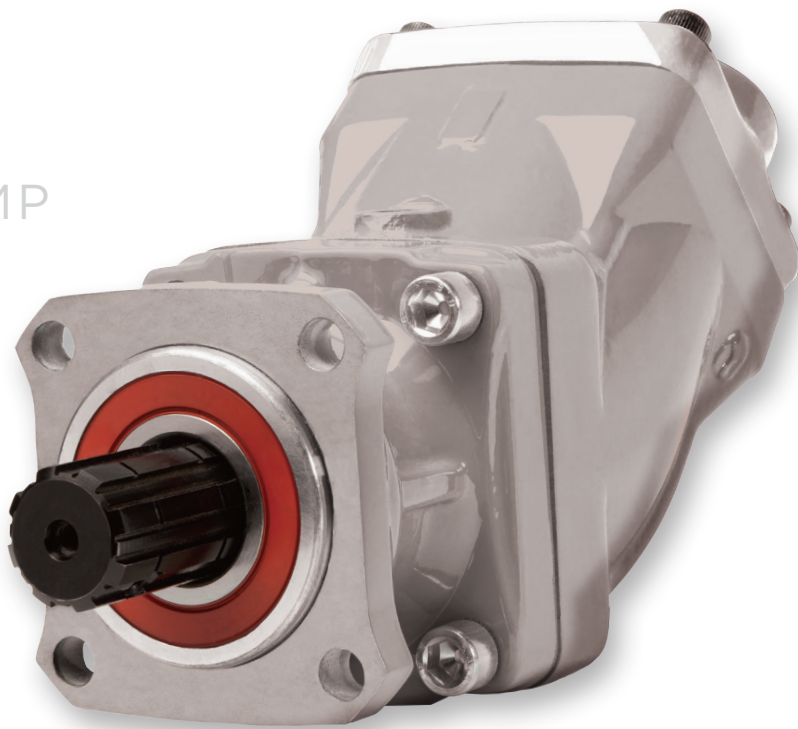


# FX SERIES

## BENT AXIS PISTON PUMP

### KEY FEATURES

- Pressures to 6,525 PSI (450 BAR) continuous duty
- 8 standard sizes 4.46–34.37 GPM (16.9–130.1 LPM) @ 1,000 RPM
- Double shaft seals (016–130 cc.)
- Small lightweight design
- Speeds up to 2,300 RPM
- BSPP straight thread
- DIN 5462 4-bolt shaft and flange on all models
- Full one-year warranty
- Complimentary mounts are available on most Muncie Power series PTOs



### PUMP SPECIFICATIONS

MODEL NO.	DISPLACEMENT CU.IN. (CC.)	MAX. RPM CONT.	MIN. RPM	MAX. PSI (BAR)	MAX. INLET VACUUM	APPROX. WEIGHT LBS. (KG.)	PORTS	
							INLET	OUTLET
24FXG-016*	1.03 (16.9)	2,300	300	6,525 (450)	6 in.Hg. (.20 BAR)	15.2 (6.9)	¾	½
24FXG-025*	1.57 (25.8)	2,300	300	6,525 (450)	6 in.Hg. (.20 BAR)	15.2 (6.9)	¾	½
24FXG-034	2.14 (35.1)	2,300	300	6,525 (450)	6 in.Hg. (.20 BAR)	23.1 (10.5)	1	¾
24FXG-047	2.93 (48)	1,900	300	6,525 (450)	6 in.Hg. (.20 BAR)	23.1 (10.5)	1	¾
24FXG-064	3.92 (64.3)	1,900	300	6,525 (450)	6 in.Hg. (.20 BAR)	29.8 (13.5)	1¼	1
24FXG-084	5.19 (85)	1,600	300	5,800 (400)	6 in.Hg. (.20 BAR)	29.8 (13.5)	1¼	1
24FXG-108	6.59 (108)	1,500	300	5,075 (350)	6 in.Hg. (.20 BAR)	29.8 (13.5)	1¼	1
24FXG-130	7.94 (130.2)	1,500	300	4,350 (300)	6 in.Hg. (.20 BAR)	39.7 (18)	1½	1

**Maximum Oil Temperature:** 180° F (82° C)

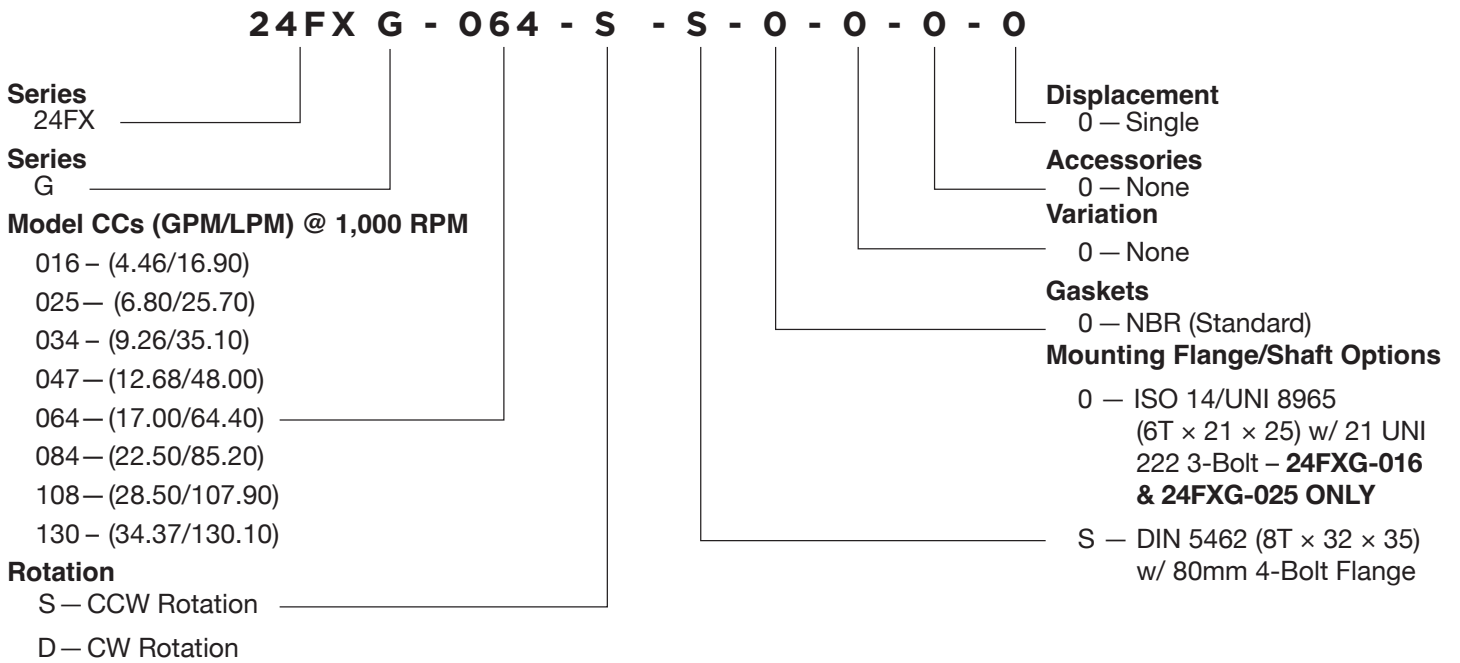
**Filter:** 10 Micron return line filtration recommended

**Approximate Weights:** 15.2–39.7 lbs. (6.9–18 Kg.)

**Recommended Oil Viscosity:** 78–220 SUS (15–46 cSt), 5,000 SSU (1,000 cSt) max. start-up



## MODEL NO. CONSTRUCTION



**Note:** Stud kit available to be ordered separately. Part number 20MKM401

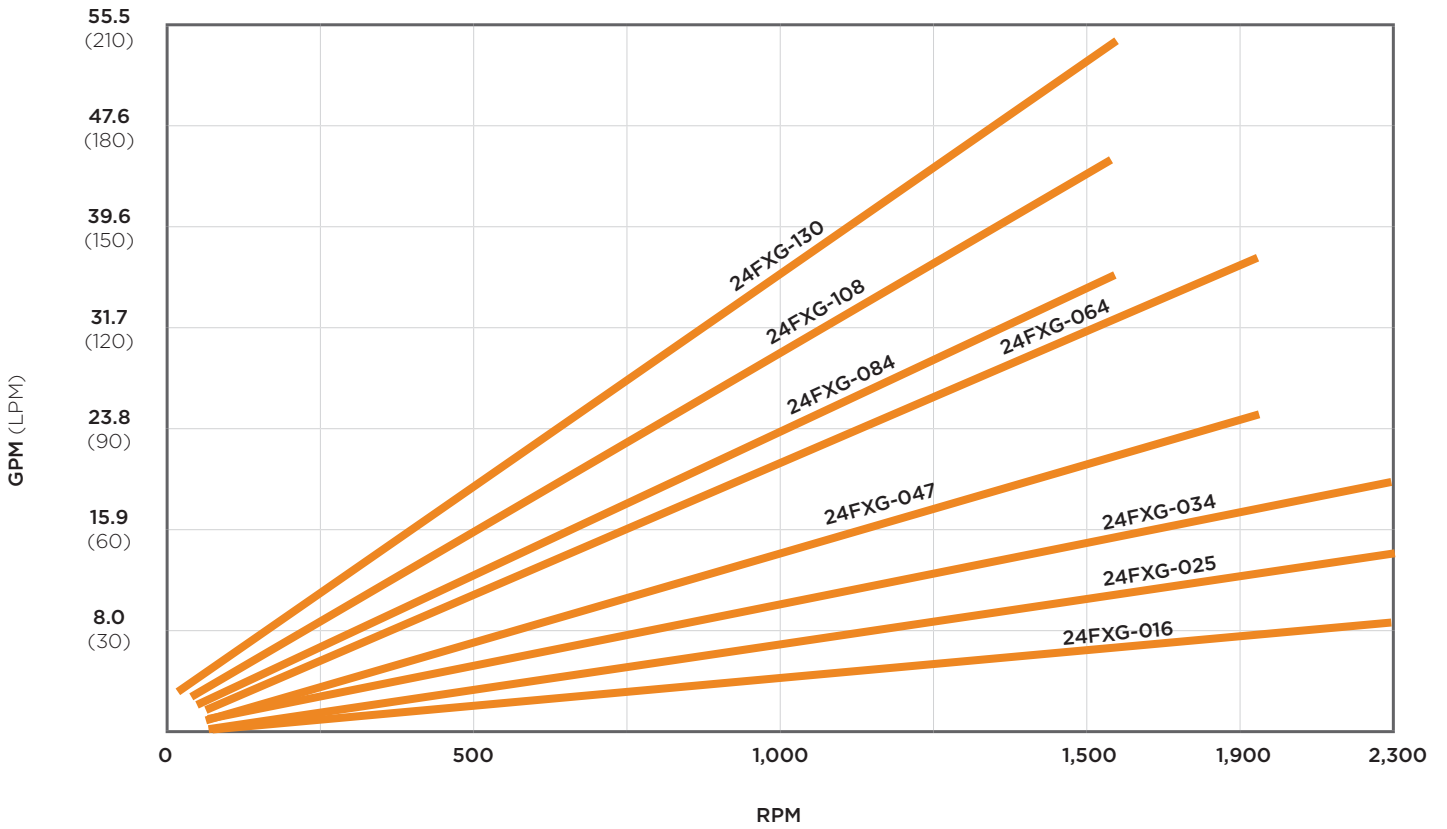
## OPTIONAL PRESSURE FITTINGS

Optional low pressure and high pressure fittings provided for easy connection to typical North American hoses and thread types.

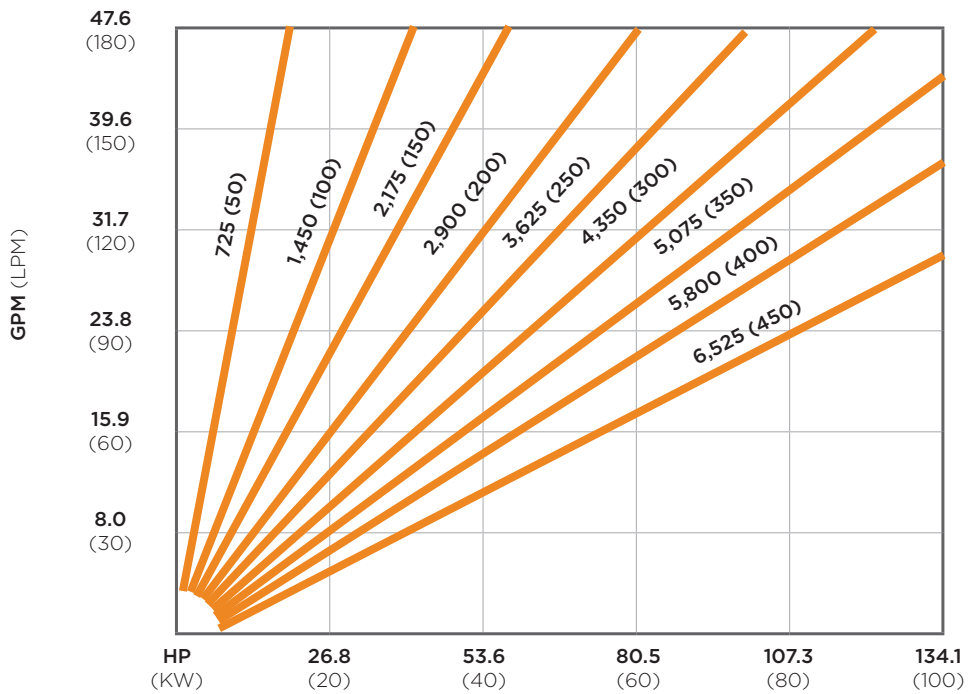
MODEL NO.	DESCRIPTION	MODEL NO.	DESCRIPTION
R4BP-20-12	1¼" hose barb, to ¾" male BSPP, swivel	PB-MJ90-12-12P	¾" male BSPP, 90°, to -12 male JIC
R4BP45-24-16B	1½" hose barb, 45°, to 1" male BSPP, swivel	BP-MJ90-12-16P	¾" male BSPP, 90°, to -16 male JIC
R4BP45-32-20B	2" hose barb, 45°, to 1¼" male BSPP, swivel	BP-MJ-16-12P	1" male BSPP, to -12 male JIC
R4BP90-32-20B	2" hose barb, 90°, to 1¼" male BSPP, swivel	BP-MJ-16-16P	1" male BSPP, to -16 male JIC
HC-20-HD	Heavy duty 1¼" hose clamp	BP-MJ45-16-16P	1" male BSPP, 45°, to -16 male JIC
HC-32-HD	Heavy duty 2" hose clamp	BP-MJ90-16-16P	1" male BSPP, 90°, to -16 male JIC
BP-MJ-12-12P	¾" male BSPP, to -12 male JIC	BP-MJ-20-20P	1¼" male BSPP, to -20 male JIC
BP-MJ45-12-12P	¾" male BSPP, 45°, to -12 male JIC	BP-FBP-16-20	1" male BSPP, to 1¼" female BSPP

# PUMP PERFORMANCE

## OUTPUT FLOW BY MODEL

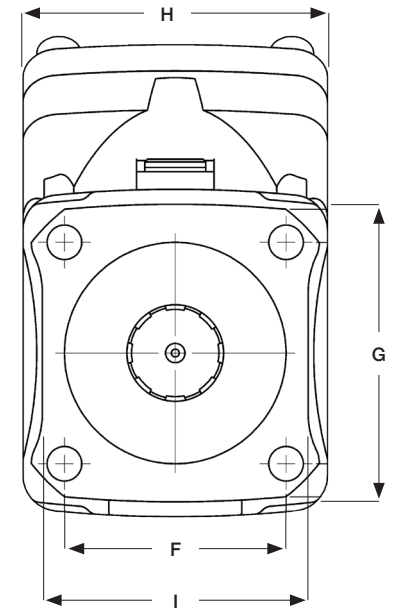
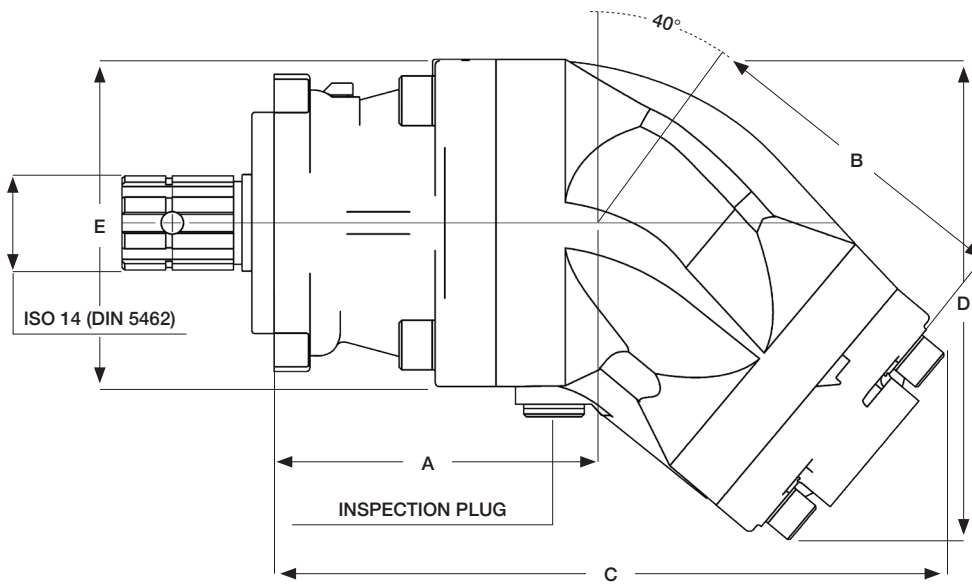


## POWER CONSUMPTION @ PSI (BAR)

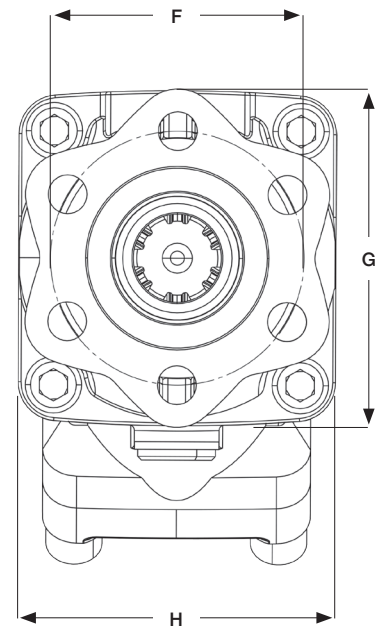
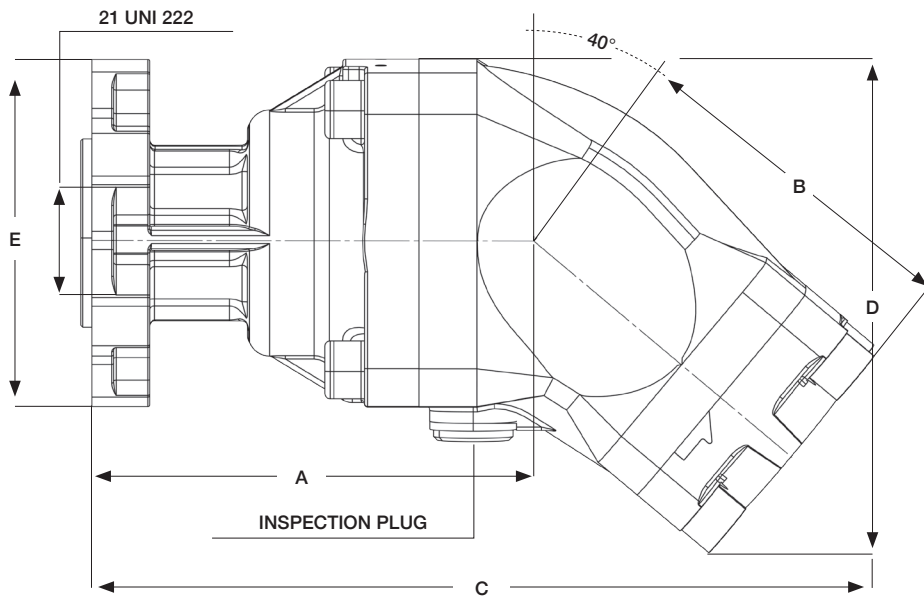




# MOUNTING DIMENSIONS



MODEL NO.	DIM A IN (MM)	DIM B IN (MM)	DIM C IN (MM)	DIM D IN (MM)	DIM E IN (MM)	DIM F IN (MM)	DIM G IN (MM)	DIM H IN (MM)	DIM I IN (MM)
016-025	3.86 (98)	3.66 (93)	7.60 (193)	5.31 (135)	3.74 (95)	3.15 (80)	4.13 (105)	4.02 (102)	3.70 (94)
034	4.15 (105.3)	3.66 (93)	8.66 (220)	6.18 (157)	4.21 (107)	3.15 (80)	4.21 (107)	4.02 (102)	3.78 (96)
047	4.15 (105.3)	3.66 (93)	8.66 (220)	6.18 (157)	4.21 (107)	3.15 (80)	4.21 (107)	4.02 (102)	3.78 (96)
064-108	4.15 (105.3)	3.66 (93)	9.44 (240)	6.81 (173)	4.64 (118)	3.15 (80)	4.21 (107)	4.02 (102)	3.78 (96)
130	4.15 (105.3)	3.66 (93)	10.55 (268)	7.83 (199)	5.24 (133)	3.15 (80)	3.54(90)	4.88 (124)	3.78 (96)



MODEL NO.	DIM A IN (MM)	DIM B IN (MM)	DIM C IN (MM)	DIM D IN (MM)	DIM E IN (MM)	DIM F IN (MM)	DIM G IN (MM)	DIM H IN (MM)	DIM I IN (MM)
016-025	4.80 (122)	3.66 (93)	8.55 (217)	5.31 (135)	3.78 (96)	2.83 (72)	3.78 (96)	3.54 (90)	N/A



*A Member of the Interpump Group*

MP24-01 (Rev. 08-24)

201 East Jackson Street • Muncie, Indiana 47305  
800-367-7867 • Fax 765-284-6991 • [info@munciepower.com](mailto:info@munciepower.com) • [www.munciepower.com](http://www.munciepower.com)  
Specifications are subject to change without notice. Visit [www.munciepower.com](http://www.munciepower.com)  
for warranties and literature. All rights reserved. © Muncie Power Products, Inc. (2024)