



**Muncie®
Power
Products**

CMKI21-6600-YP6-AC

2021-2025 Isuzu NPR-NPR-HD
2024-2025 Isuzu NQR-NRR
2021-2025 Chevrolet LCF 3500-5500
6.6L V8 Gas w/ A/C, w/o OEM Dual Alternators

Requires Muncie SAE Two-Bolt 'A' Flange Pump; 6-Groove Clutch
Recommended 1.25 in³ or 6 gal. Pump w/ 10hp Restriction (For Clearance)
Both Side and/or Rear-Ported Pump is Applicable
125% Overdrive Ratio w/ 6" Diameter Clutch

INSTALLATION NOTES

1. The buyer is responsible for providing trained and experienced installation decision making with technical know-how to apply professional judgment that specifically applies to each individual installation.
2. Be sure to read and understand all available information including but not limited to instructions, warnings, sale terms, and warranties for the vehicle and all system components prior to attempting installation.
3. Disconnect the negative battery cable. Remove the OEM fan and fan ring from the vehicle (it is not necessary to remove, but it does make installation easier). Remove the OEM fan ring support bracket from the OEM power steering/vacuum pump bracket. It will not be reused. Remove the OEM engine belt. Remove the OEM power steering pump from the OEM power steering/vacuum pump bracket. There are three bolts holding it on that are accessible through the OEM power steering pump pulley. Remove the hoses connected to the OEM vacuum pump. Then, remove the OEM vacuum pump. Finally, remove the three bolts holding the OEM power steering/vacuum pump bracket to the engine. Remove the bracket. They will not be reused.
4. Place the clutch pump on top of the transmission coolant lines next to the engine on the driver's side of the vehicle. Install mounting bracket (1) onto the engine with mounting hardware (2-5) at locations [A,B]. Install all bolts before tightening any of them. Torque bolts (2) to 35 ft/lbs. Torque bolts (4) to 24 ft/lbs.
5. Install the clutch pump according to the manufacturer's specification to mounting bracket (1) with mounting hardware (13-18). Install the OEM vacuum pump onto mounting bracket (1) with mounting hardware (7). Reconnect the hoses to the vacuum pump. Secure with zip ties. Torque bolts to 20-24 ft/lbs.

NOTE: It may be necessary to cut some from the lower vacuum hose for clearance to the frame.

6. Drain fluid from the OEM power steering pump. Remove the return hose from the pump. Install the OEM power steering pump onto mounting bracket (1) with mounting hardware (6). The pressure line at the pump may need to be slightly bent to relieve any stress on the pressure hose. Install the power steering return hose (23) onto the OEM power steering pump, and the other end onto the steel return line at the frame with clamps (24). Replace power steering fluid to proper levels.
7. Install smooth idler pulley assembly (8-12) onto mounting bracket (1). Do not tighten at this time. Install belt (25), and route it as shown in the belt diagram. With the tensioner fully loaded, slide the smooth idler pulley assembly (8-12) down as far as possible. Then, tighten nut (12). Release tensioner, and check for proper belt tension. Adjust any component needed to if necessary.
8. If removed, replace the OEM fan and fan ring. Install fan ring standoff brace (20) onto mounting bracket (1) with fan ring standoff bushing (19) and bolt (21). Do not tighten. Install the other end of the fan ring standoff brace (20) to the fan ring with OEM bolt and nut (22). Secure nut (22) and bolt (21) at this time.
9. Reconnect the negative battery cable.

CAUTION: Before starting the engine. Check to make certain no wires, hoses, etc. that may have been disturbed during installation do not come in contact with any hot or moving parts. Run the engine and check for proper belt tracking, adjust if necessary.

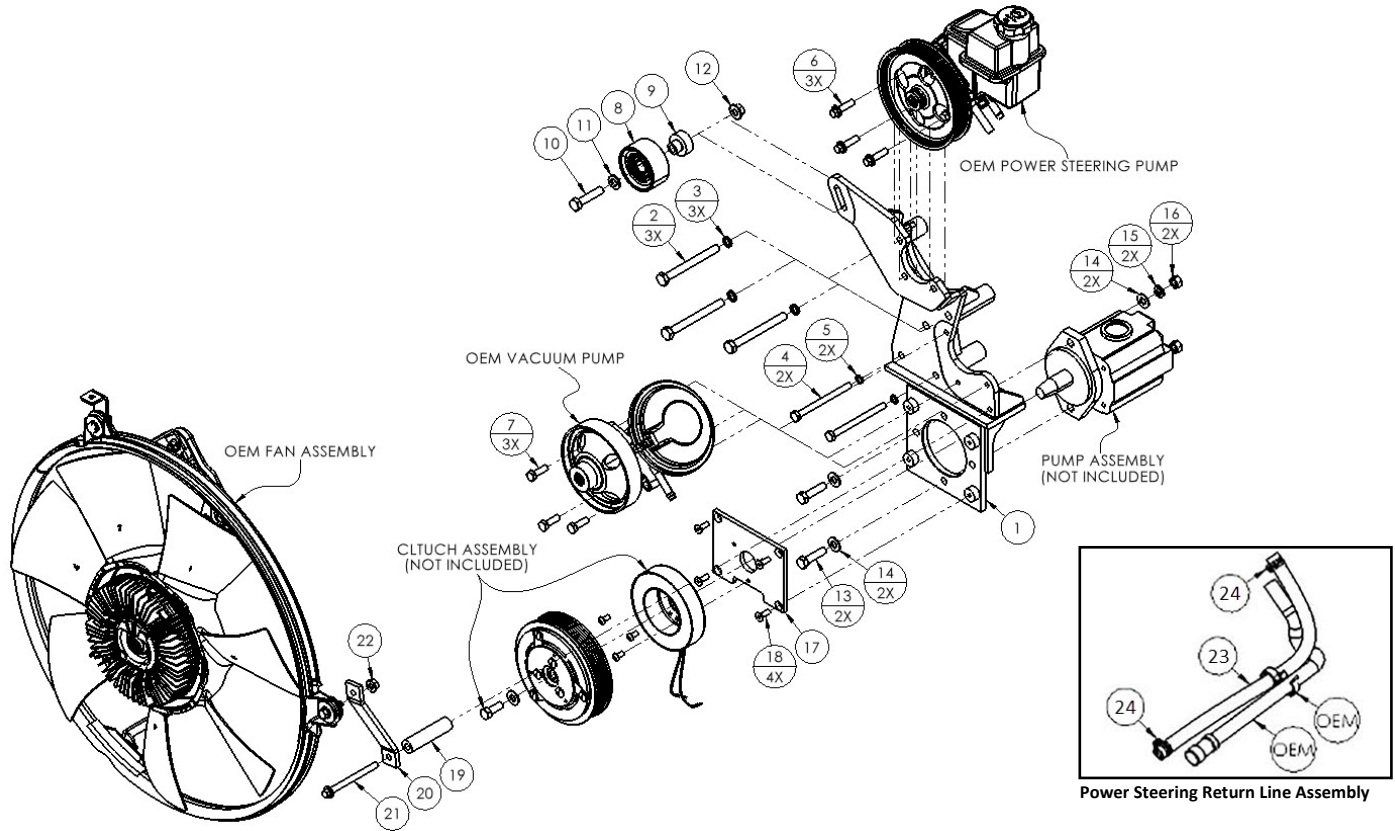


Muncie® Power Products

CMKI21-6600-YP6-AC

2021-2025 Isuzu NPR-NPR-HD
2024-2025 Isuzu NQR-NRR
2021-2025 Chevrolet LCF 3500-5500
6.6L V8 Gas w/ A/C, w/o OEM Dual Alternators

Requires Muncie SAE Two-Bolt 'A' Flange Pump; 6-Groove Clutch
Recommended 1.25 in³ or 6 gal. Pump w/ 10hp Restriction (For Clearance)
Both Side and/or Rear-Ported Pump is Applicable
125% Overdrive Ratio w/ 6" Diameter Clutch



PARTS LIST							
Item	Part Number	Description	Qty.	Item	Part Number	Description	Qty.
Main Bracket				15	1010315	3/8" MED Lock Washer	2
1	SMB39A-16	Main Bracket	1	16	1010314	3/8"-16 NC Gr5 Hex Nut	2
Main Bracket Mounting Hardware				17	MCA01	Coil Adaptor Plate	1
2	1003981	M10-1.5 x 100mm 10.9Gr Hex Bolt	3	18	1007577	1/4"-20 x 3/4" NC Gr5 FHSCS	4
3	1003822	M10 Lock Washer	3	Fan Shroud Standoff Assembly			
4	1011957	M8-1.25 x 100mm 10.9Gr Hex Bolt	2	19	SMB39-16-1	Fan Shroud Standoff Bushing	1
5	1006174	M8 Lock Washer	2	20	SMB39-16-2	Fan Shroud Standoff Brace	1
OEM Power Steering Pump Mounting Hardware				21	1011688	M8-1.25 x 90mm 10.9Gr Hex Flg. Bolt	1
6	1013349	M8-1.25 x 30mm 10.9Gr Hex Flg. Bolt	3	22	1013333	M8-1.25 10.9Gr Hex Flg. Nut	1
OEM Vacuum Pump Mounting Hardware				Power Steering Return Line Assembly			
7	1010201	M8-1.25 x 25mm 10.9Gr Hex Bolt	3	23	1022512	3/8" Power Steering Return Line Hose	14"
Smooth Idler Pulley Assembly				24	1016347	#4 Hose Clamp	2
8	IPCS2.5	Custom Manufactured Smooth Idler Pulley	1	Belt (Only One Belt is Supplied)			
9	VDMB306	Machined Idler Pulley Bushing	1	25	K061058	Gates 6-Groove, 105.8" Belt	1
10	1006630	M10-1.5 x 45mm 10.9Gr Hex Bolt	1		1061058	Goodyear 6-Groove, 105.8" Belt	1
11	1003748	M10 Flat Washer	1				
12	1018204	M10-1.5 10.9Gr Hex Flg. Nut	1				
Auxiliary Clutch Pump Mounting Hardware							
13	1005139	3/8"-16 x 1-1/2" NC Gr5 Hex Bolt	2				
14	1007644	3/8" USS Flat Washer	4				



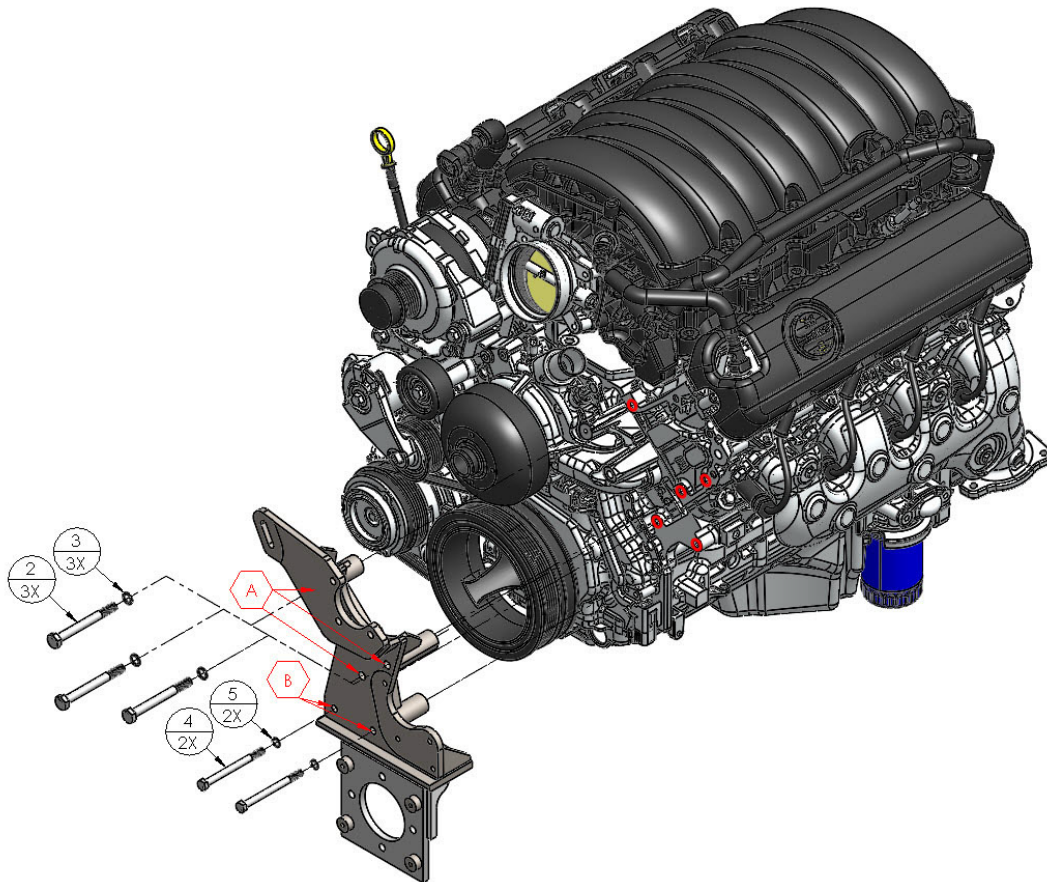
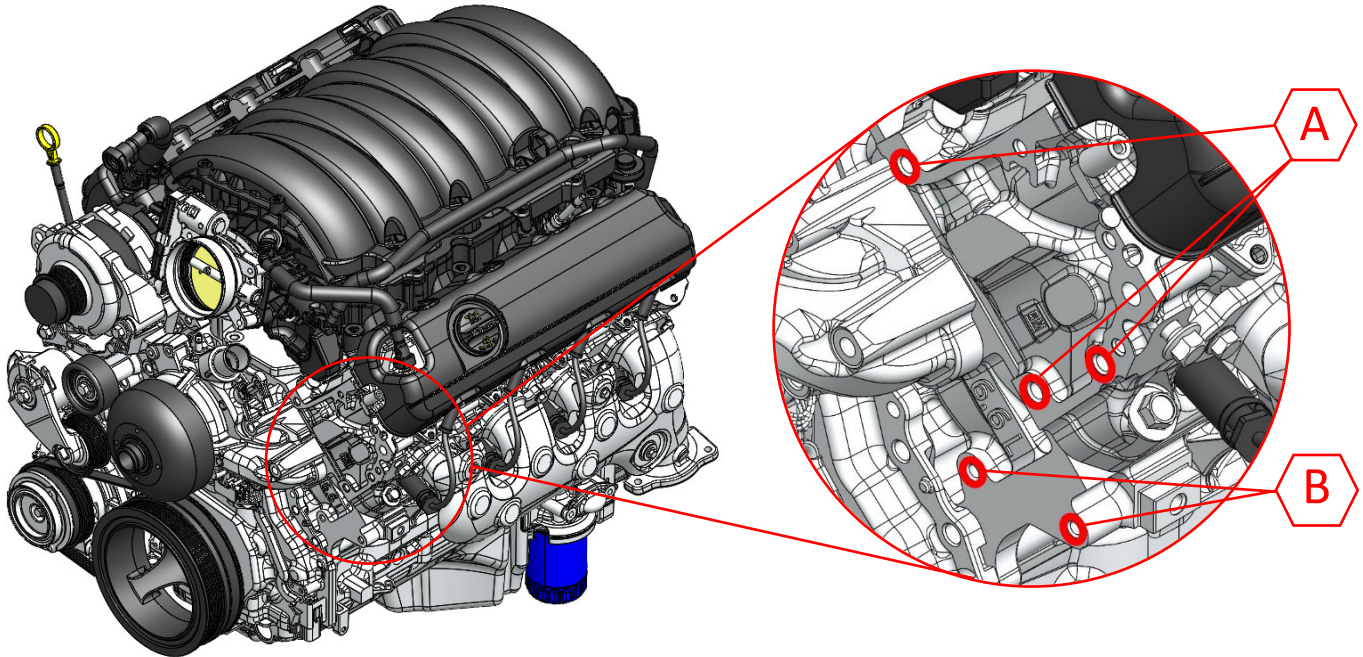
Muncie® Power Products

CMKI21-6600-YP6-AC

2021-2025 Isuzu NPR-NPR-HD
2024-2025 Isuzu NQR-NRR
2021-2025 Chevrolet LCF 3500-5500
6.6L V8 Gas w/ A/C, w/o OEM Dual Alternators

Requires Muncie SAE Two-Bolt 'A' Flange Pump; 6-Groove Clutch
Recommended 1.25 in³ or 6 gal. Pump w/ 10hp Restriction (For Clearance)
Both Side and/or Rear-Ported Pump is Applicable
125% Overdrive Ratio w/ 6" Diameter Clutch

Mounting Locations





**Muncie®
Power
Products**

CMKI21-6600-YP6-AC

2021-2025 Isuzu NPR-NPR-HD
2024-2025 Isuzu NQR-NRR
2021-2025 Chevrolet LCF 3500-5500
6.6L V8 Gas w/ A/C, w/o OEM Dual Alternators

Requires Muncie SAE Two-Bolt 'A' Flange Pump; 6-Groove Clutch
Recommended 1.25 in³ or 6 gal. Pump w/ 10hp Restriction (For Clearance)
Both Side and/or Rear-Ported Pump is Applicable
125% Overdrive Ratio w/ 6" Diameter Clutch

Belt Routing

