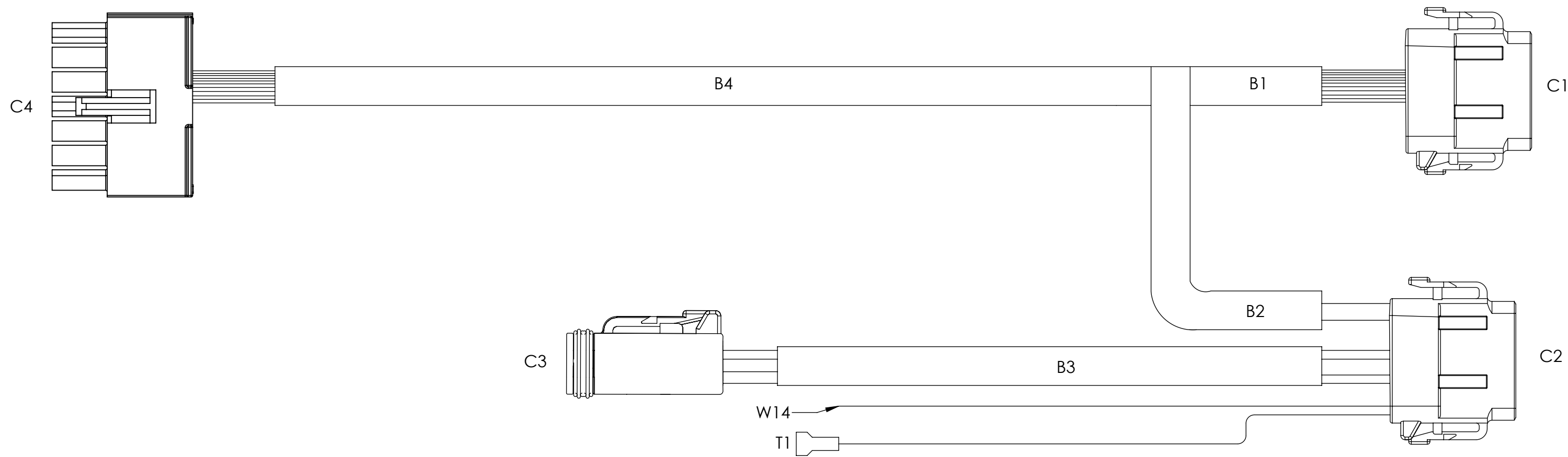


REVISIONS					
REV.	ZONE	DESCRIPTION	ECN/ERN	DATE	BY



Branch ID	Branch Length (IN)
B1	2
B2	4
B3	8
B4	8

- Notes:
- 1) All branches to be wrapped in Tesa 51036 tape
 - 2) All branches with connector leave 2" of wire exposed before connector
 - 3) All splices ("S") to be soldered or sonic welded and covered in 2" of adhesive heatshrink

UNLESS OTHERWISE SPECIFIED:		NAME	DATE	 Muncie Power Products, Inc.	
DIMENSIONS ARE IN INCHES		DRAWN	NSZ		3/20/24
2 PLACE DECIMAL ±0.030		CHECKED	BM		3/20/24
3 PLACE DECIMAL ±0.010 EXCEPT DRILLED HOLES		ENG APPR.	KW		3/20/24
BREAK SHARP CORNERS		COMMENTS:			
ALL FILLETS AND RADII 0.12 R.		-			
FINISH 125/		-			
INTERPRET GEOMETRIC TOLERANCING PER: ASME Y14.5		-			
MATERIAL		-			
THIRD ANGLE PROJECTION		SIMILAR TO:			
-		-			
PROPRIETARY AND CONFIDENTIAL THE INFORMATION CONTAINED IN THIS DRAWING IS THE SOLE PROPERTY OF MUNICIE POWER PRODUCTS, INC. ANY REPRODUCTION IN PART OR AS A WHOLE WITHOUT THE WRITTEN PERMISSION OF MUNICIE POWER PRODUCTS, INC. IS PROHIBITED.					

Multifunction Joystick Harness

SIZE **C** DWG. NO. **APWH147A** REV **00**

SCALE: N/A WEIGHT: N/A SHEET 1 OF 2

Wire Number	Wire Label	Wire Color	Wire Gauge	Wire Type	Wire length(IN)	Source Connection	Source Connector P/N	Source Connector Manufacturer	Source Pin Location	Source Pin P/N	Destination Connection	Destination Connector P/N	Destination Connector Manufacturer	Destination Pin Location	Destination Pin P/N
W1	Digital 1	Brown	16	GXL	10	C1	DTM06-12SD	Deutsch	1	1062-20-0144	C4	770582-1	TE	13	1-794407-1
W2	Analog 1	Purple	16	GXL	10	C1	DTM06-12SD	Deutsch	2	1062-20-0144	C4	770582-1	TE	8	1-794407-1
W3	Analog 2	White	16	GXL	10	C1	DTM06-12SD	Deutsch	3	1062-20-0144	C4	770582-1	TE	5	1-794407-1
W4	Analog 3	Orange	16	GXL	10	C1	DTM06-12SD	Deutsch	4	1062-20-0144	C4	770582-1	TE	9	1-794407-1
W5	Analog 4	Pink	16	GXL	10	C1	DTM06-12SD	Deutsch	5	1062-20-0144	C4	770582-1	TE	4	1-794407-1
W6	Analog 5	Gray	16	GXL	10	C1	DTM06-12SD	Deutsch	6	1062-20-0144	C4	770582-1	TE	10	1-794407-1
W7	Analog 6	Green	16	GXL	10	C1	DTM06-12SD	Deutsch	7	1062-20-0144	C4	770582-1	TE	3	1-794407-1
W8	Analog 7	Blue	16	GXL	10	C1	DTM06-12SD	Deutsch	8	1062-20-0144	C4	770582-1	TE	12	1-794407-1
W9	Analog 8	Lt. Green	16	GXL	10	C1	DTM06-12SD	Deutsch	9	1062-20-0144	C4	770582-1	TE	1	1-794407-1
W10	+12 Volts	Red	16	GXL	10	C1	DTM06-12SD	Deutsch	10	1062-20-0144	C4	770582-1	TE	14	1-794407-1
W11	+5 Volts	Yellow	16	GXL	10	C1	DTM06-12SD	Deutsch	11	1062-20-0144	C4	770582-1	TE	7	1-794407-1
W12	Ground	Black	16	GXL	10	C1	DTM06-12SD	Deutsch	12	1062-20-0144	C4	770582-1	TE	6	1-794407-1
W13	+12 Volts	Red	16	GXL	8	C2	DTM06-12SC	Deutsch	1	1062-20-0144	C3	DT06-4S	Deutsch	1	0462-201-16141
W14	Digital 2	Brown	16	GXL	8	C2	DTM06-12SC	Deutsch	2	1062-20-0144	Blunt Cut	-	-	-	-
W15	Digital 3	Yellow	16	GXL	8	C2	DTM06-12SC	Deutsch	3	1062-20-0144	T1	72625K77	McMaster	-	-
W16	Can HI	White	16	GXL	8	C2	DTM06-12SC	Deutsch	4	1062-20-0144	C3	DT06-4S	Deutsch	3	0462-201-16141
W17	CAN LO	Green	16	GXL	8	C2	DTM06-12SC	Deutsch	5	1062-20-0144	C3	DT06-4S	Deutsch	4	0462-201-16141
W18	Ground	Black	16	GXL	8	C2	DTM06-12SC	Deutsch	6	1062-20-0144	C3	DT06-4S	Deutsch	2	0462-201-16141
W19	Analog 9	Orange	16	GXL	12	C2	DTM06-12SC	Deutsch	8	1062-20-0144	C4	770582-1	TE	11	1-794407-1
W20	Analog 10	Blue	16	GXL	12	C2	DTM06-12SC	Deutsch	9	1062-20-0144	C4	770582-1	TE	2	1-794407-1

Legend:

W = Wire

CB = Cable

C = connector

S = Splice

T = Terminal