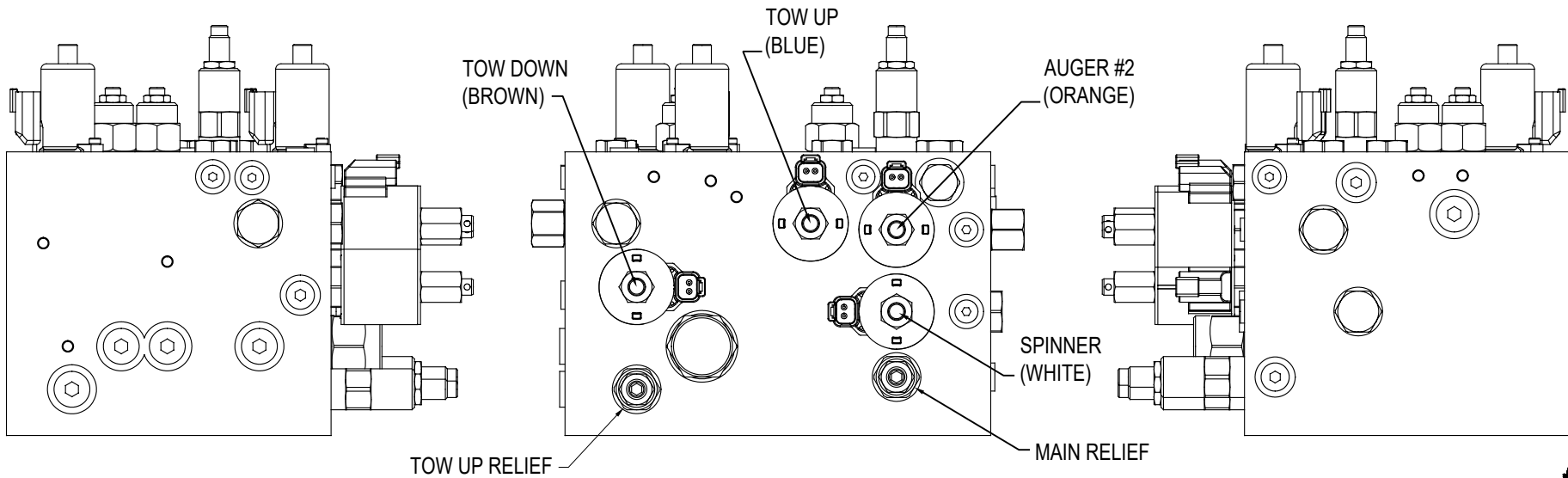


TOW MODULE INPUT

Red = +12V
Black = Ground

TOW MODULE OUTPUTS

Orange = Auger Output
White = Spinner Output
Brown = Tow Down
Blue = Tow Up
Pink/Green = Tow In
Purple = Tow Out



MANIFOLD: HF88332-14