

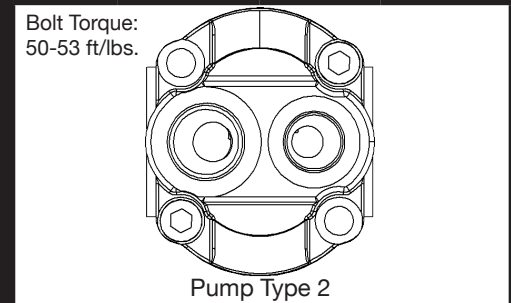
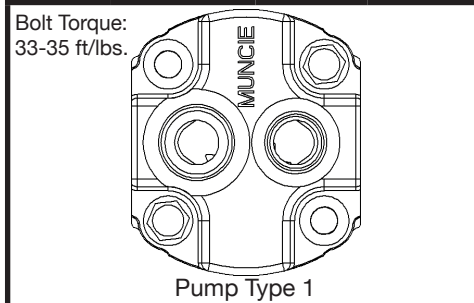


PF4 SERIES BOLT & WASHER REQUIREMENTS

READ BEFORE INSTALLING PUMP

This "PF4" pump is shipped with 3 sets of bolts (unless otherwise noted); one set for Muncie's FR64/67PTO's, the other for FR66/6Q/F20 PTO's. ONLY 1 SET OF BOLTS WILL BE USED WHEN MOUNTING THIS PUMP. Be sure to use the correct bolts and corresponding amount of washers for the appropriate PTO (see charts below). Failure to use the correct hardware could result in THREADS STRIPPING or LEAKING from the Pump or PTO-Pump mating surfaces.

Notes: Be sure to measure bolts in kit using template below to guarantee proper bolt lengths are used.
—Washer # (Ref. only: 21T64303



	Pump Model	FR66/6Q/F20 PTO ONLY			FR64/67 PTO ONLY				
		Bolt Length	Bolt Number	Washers Per Bolt	Exposed Bolt Length	Bolt Length	Bolt Number	Washers Per Bolt	Exposed Bolt Length
FR66/6Q/F20 PTO ONLY	PF4-160-16QSRLX	4.00	19T38400SH	1	0.700	4.25	19T38425SH	1	0.690
	PF4-212-16QSRLX	4.00	19T38400SH	1	0.575	4.25	19T38425SH	1	0.565
	PF4-264-16QSRLX	4.25	19T38425SH	1	0.695	4.25	19T38450SH	1	0.705
	PF4-290-16QSRLX	4.25	19T38425SH	1	0.620	4.50	19T38450SH	1	0.670
	PF4-368-16QSRLX	4.50	19T38450SH	1	0.615	4.75	19T38475SH	1	0.685
	PF4-424-16QSRLX	5.00	19T38500SH	1	0.560	4.75	19T38475SH	1	0.565
	PF4-502-16QSRLX	5.25	19T38525SH	1	0.630	5.00	19T38500SH	1	0.595
	PF4-606-16QSRLX	5.50	19T38550SH	1	0.665	5.25	19T38525SH	1	0.615
	PF4-714-16QSRLX	5.75	19T38575SH	1	0.615	5.50	19T38550SH	1	0.535
	PF4-818-16QSRLX	6.00	19T38600SH	1	0.710	5.75	19T38575SH	1	0.630
	PF4-870-16QSRLX	6.00	19T38600SH	1	0.585	6.00	19T38600SH	1	0.680
FR64/67 PTO ONLY	PF4-160-16QSRLX	4.25	19T38425SH	1	0.935	4.50	19T38450SH	1	0.975
	PF4-212-16QSRLX	4.25	19T38425SH	1	0.810	4.50	19T38450SH	1	0.925
	PF4-264-16QSRLX	4.50	19T38450SH	1	0.950	4.75	19T38475SH	1	0.955
	PF4-290-16QSRLX	4.50	19T38450SH	1	0.890	4.75	19T38475SH	1	0.810
	PF4-368-16QSRLX	4.75	19T38475SH	1	0.825	5.00	19T38500SH	1	0.930
	PF4-424-16QSRLX	5.25	19T38525SH	1	0.820	5.00	19T38500SH	1	0.810
	PF4-502-16QSRLX	5.50	19T38550SH	1	0.840	5.25	19T38525SH	1	0.855
	PF4-606-16QSRLX	5.75	19T38575SH	1	0.915	5.50	19T38550SH	1	0.825
	PF4-714-16QSRLX	6.00	19T38600SH	1	0.875	5.75	19T38575SH	1	0.845
	PF4-818-16QSRLX	6.00	19T38600SH	1	0.710	6.00	19T38600SH	1	0.860
PF4-870-16QSRLX	6.25	19M38625SH	1	0.835	6.25	19T38625SH	1	0.940	

KEY: Measure bolt pattern below first to ensure scale is correct. Start with the arrow on left just right of the bolt head when measuring. If this does not measure correctly, your document is not scaled correctly and needs reprinted at 100% scale.

