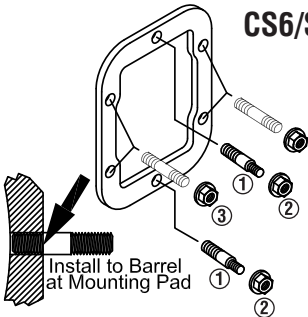


## CS6/SH6 Series Stud kit Installation



- This stud kit is supplied with two special studs.
- Locate the two step studs (1) and wizlock nuts (2).
- Install the step studs (1) into the top and bottom pad mounting hole locations.
- Install the four standard studs into remaining mounting locations.
- Mount PTO using wizlock nuts (2) at the two step stud locations.
- Install the Spirallock hex nut (3) at the standard stud locations following the instructions in the PTO Owner's Manual.
- Torque Values: 3/8" hex nut = 40-45 ft.lb.  
5/16" wizlock = 17 ft.lb.

MC00-02 (Rev. 2-08)

© Muncie Power Products, Inc. 2008