



MUNCIE POWER PRODUCTS
CORPORATE HEADQUARTERS

201 EAST JACKSON STREET
POST OFFICE BOX 548
MUNCIE, INDIANA 47308 USA

765-284-7721 PHONE
765-751-9506 FAX

Product Bulletin #00100

XSMC Extended Shaft Installation Gasket

Date: March 10, 2021

URL: www.munciepower.com

The installation of the XSMC extended shaft is different between the MC1 PTO and the A20 PTO. The MC1 uses an O-ring that is supplied with the installation kit. The A20 uses a gasket (P/N: 13T63186) that is included in the installation kit, NOT the O-ring. The gasket can also be used on the MC1. Please see the images below for reference.

A20

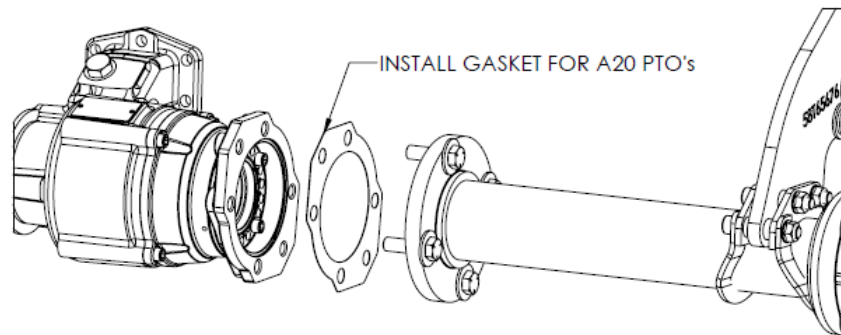


Figure 1: Gasket installation with A20 PTO

MC1

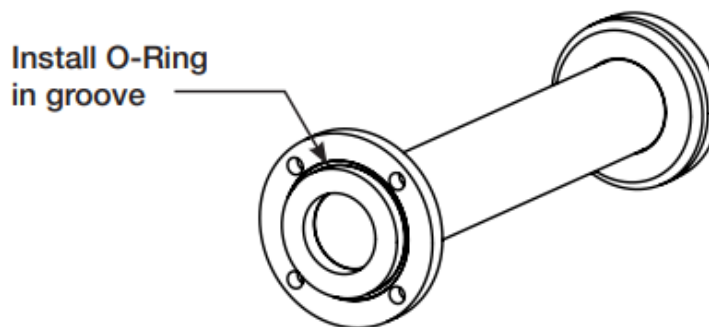


Figure 2: O-ring installation with MC1 PTO

**WE BUILD
TRUST.**