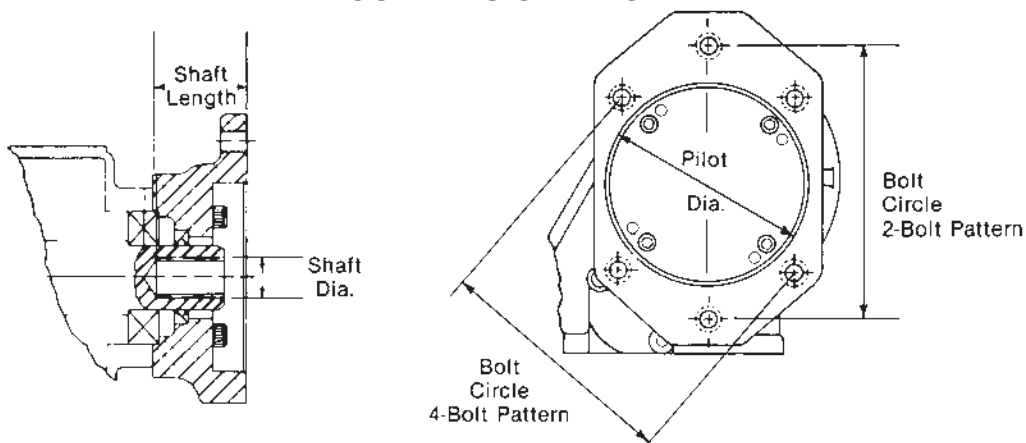


## CONVERSION KITS



### DIRECT MOUNT PUMP FLANGE CONVERSION KITS

SUFFIX NO.	PILOT DIA. (IN)	SHAFT DIA. (IN)	TYPE SHAFT	BOLT CIRCLE	MOUNT. HOLES	BOLT SIZE	SHAFT LENGTH	CONVERSION KIT NUMBER
<b>E</b>	5.0	1.25	Spline - 14T	6.38	4	1/2"-13	2.19	No Kit (82, CS10)
				7.12	2	5/8"-11		
<b>F</b>	3.25	0.75	Round - 3/16" Key	4.18	2	3/8"-16	2.66	14TA4527 (TG Only)
<b>I</b>	80mm	36mm	Spline - 8T	113.15mm	4	12mm	60.1mm	14TA4422 (TG Only)
<b>K</b>	4.0	0.88	Spline - 13T	5.0	4	1/2"-13	1.86	14TA4531 (TG Only)
				5.75	2			
<b>KG</b>	4.0	0.88	Spline - 13T	5.0	4	1/2"-13	1.86	14TA4551 (TG Only)
				5.75	2			
<b>L</b>	4.0	0.88	Round - 1/4" Key	5.0	4	1/2"-13	2.38	14TA4550 (TG Only)
				5.75	2			
<b>M</b>	3.25	0.88	Spline - 13T	4.18	4	3/8"-16	1.94	14MA4553 (TG Only)
				4.75	6	13/32" - Thru		
				5.00	4	1/2"-13		
<b>N</b>	2.62	0.75	Round - 3/16" Key	3.25	6**	3/8"-16	2.66	14TA4554 (TG Only)
<b>P</b>	4.00	1.00	Spline - 15T	5.00	4	1/2"-13	2.38	14TA4532 (TG Only)
				5.75	2			
<b>PG</b>	4.00	1.00	Spline - 15T	5.00	4	1/2"-13	2.38	14TA4552 (TG Only)
				5.75	2			
<b>Q</b>	3.25	0.88	Spline - 13T	4.18	2	3/8"-16	1.66	14TA4529 (TG Only)
<b>R</b>	3.25	0.625	Spline - 9T	4.18	2	3/8"-16	1.66	14TA4541 (TG Only)
<b>S</b>	4.00	0.88	Spline - 13T	5.75	2	1/2"-13	1.70	14TA4530 (TG Only)
<b>T</b>	3.25	0.75	Spline - 11T	4.18	2	3/8"-16	1.50	14TA4533 (TG Only)
<b>Y</b>	5.00	1.25	Spline - 14T	7.12	2	5/8"-11	2.19	No Kit (CD, CS10)
<b>Z</b>	4.00	1.25	Spline - 14T	5.00	4	1/2"-13	2.19	14TA4423 (TG Only)
				5.75	2			
<b>6</b>	4.00	0.88	Spline - 13T	5.75	2	1/2"-13	1.86	No Kit (TG Only)

\*\*Only 4 bolts are usable to mount pump.

### SHIFTER CONVERSION KITS

TG SERIES				RL SERIES	82 SERIES	
Cable 16MK3735-14-A (1+4)	Standard Air 16MK3803-A (1+4)	Electric Air 16MK0200-A (1+4)	E-Hydra Shift 16MK4682 (1+4)	Standard Air 16MK4261-A	D-Double Acting 16MK3253-A	Q-Double Acting 16MK3252-A
16MK3735-23-A (2+3)	16MK3804-A (2+3)	16MK1200-A (2+3)	16MK4683 (2+3)	All Assemblies	All Assemblies	All Assemblies