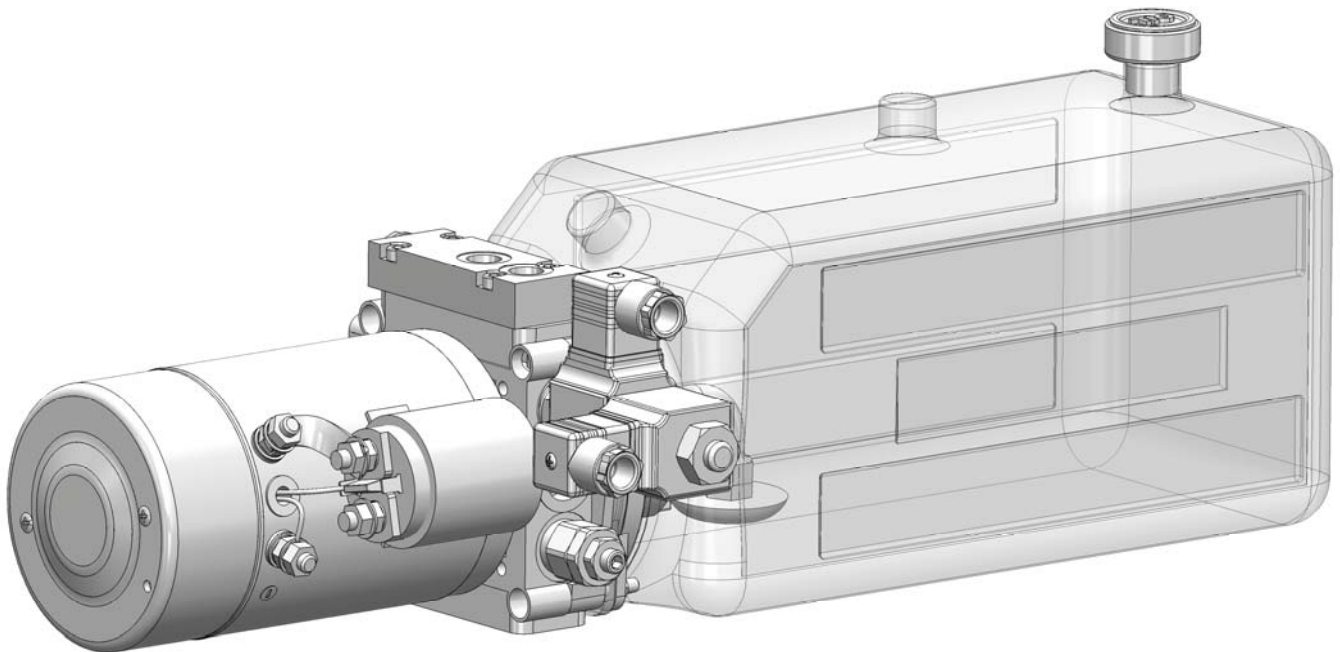
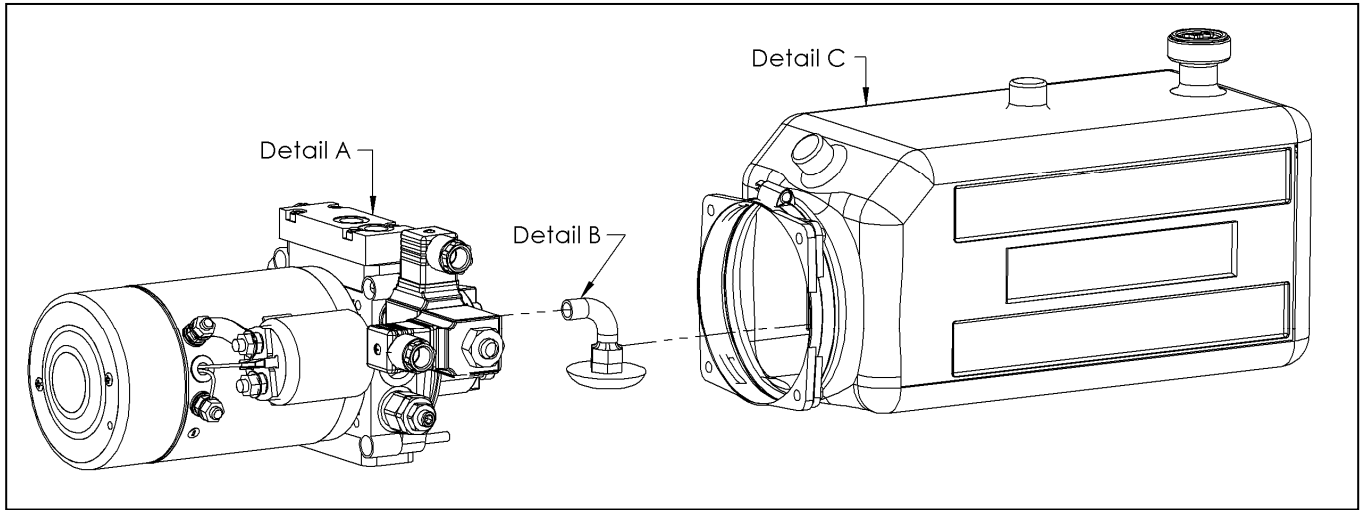


Preliminary DC Power Pack

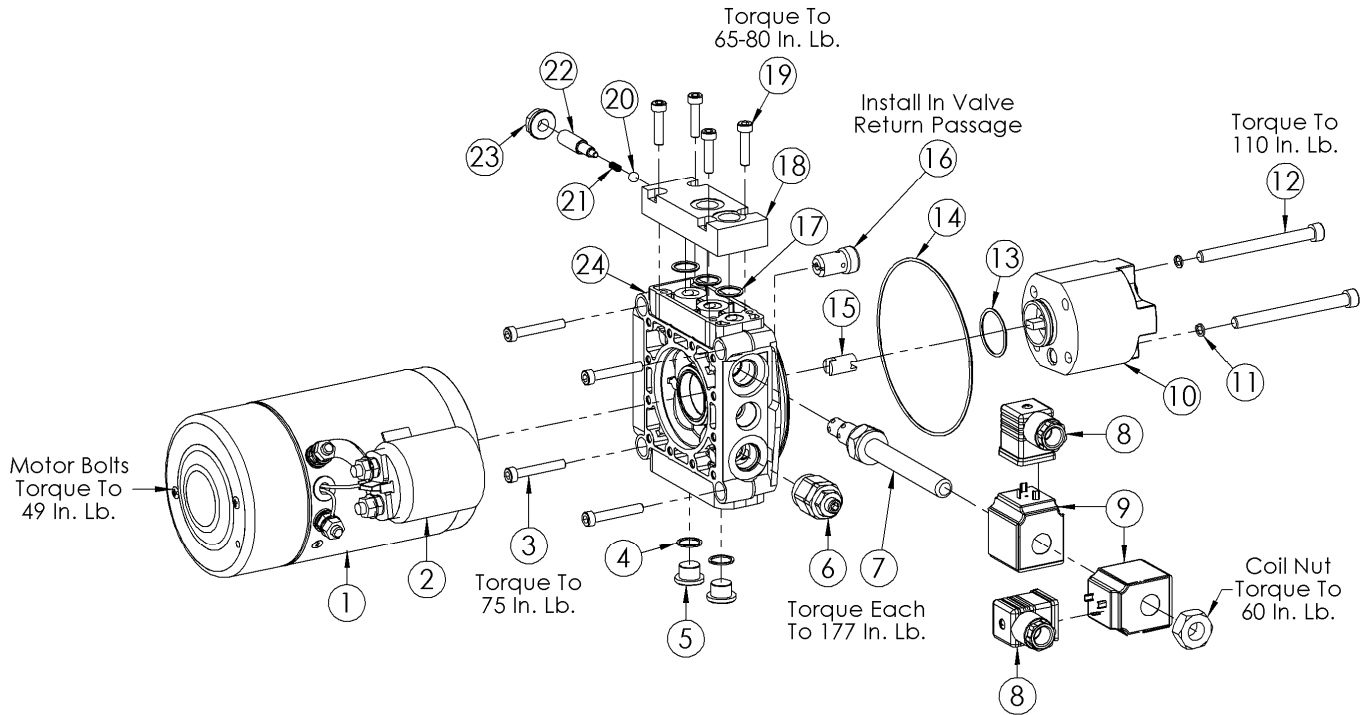
LP1A-4*****-100-C

Parts List and Service Manual

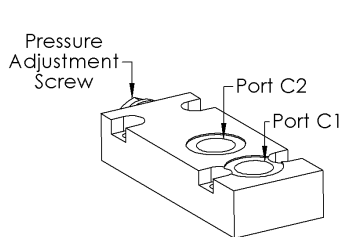




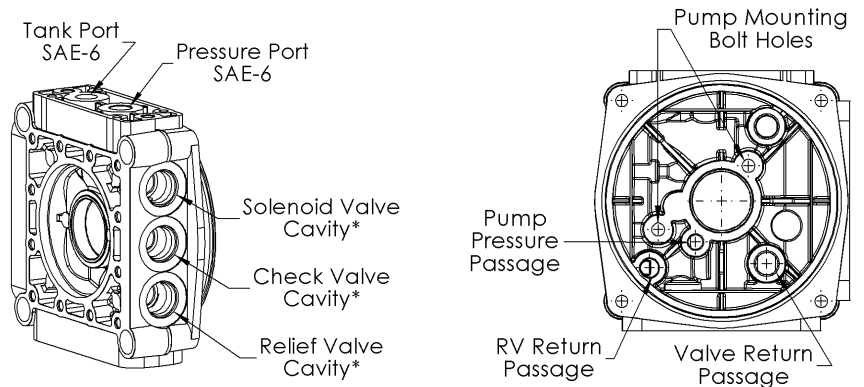
Detail A – Central Manifold with Motor & Pump Assembly



**Downside Relief
Block Details (Item 18)**

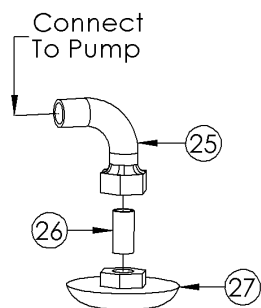


Central Manifold Details (Item 23)



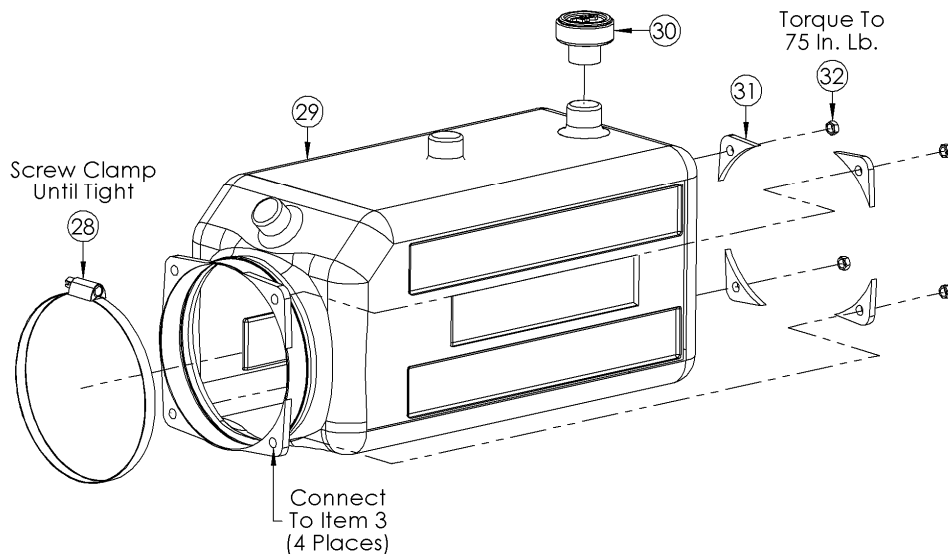
*Where Applicable

Detail B – Suction Filter

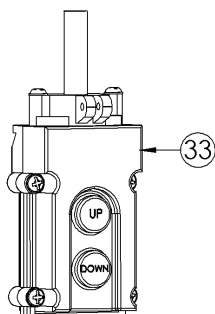


Detail C – Reservoir Assembly

8.5 Qt Reservoir Shown



Electrical



DCPP Parts List (LP1A-4*-100-C)**

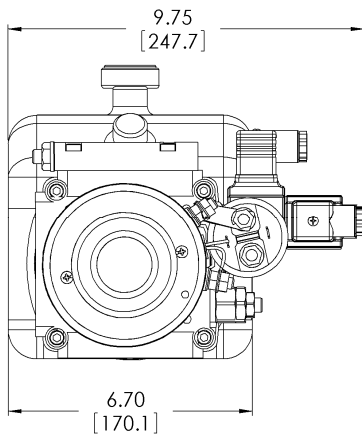
ITEM	QTY	PART NO.	DESCRIPTION	ITEM	QTY	PART NO.	DESCRIPTION
Detail A				Detail B			
01	1	56250A180L0H	12V DC Motor w/ 200A Relay	25	1	74A01030000A	3/8" Elbow
02	1	56252120801H	200A Relay	26	1	74F31030000A	3/8" Nipple
03	4	71D15106040B	M6x40 Bolt	27	1	56233D14H0CA	Suction Filter
04	2	71K12113000T	1/4" BSPP Copper Washer	Detail C			
05	2	090T80IEA014	1/4" BSPP Plug	28	1	71P03197127B	Worm Drive Clamp
06	1	56203P31900V	Relief Valve	29	1	56220201B00E*	1.6 Q Poly Horizontal - F
07	1	0874H13B300P	DCV 3P4W		1	56220201B02E*	1.6 Q Poly Vertical - F
08	2	78C00100500A	DIN connector		1	56220301B00E*	3.2 Q Poly Horizontal - H
09	2	0891L100A00P	12V DC Coil		1	56220301B02E*	3.2 Q Poly Vertical - H
10	1	13B1W2D2ABBC	Pump 03 (0.061 cu. in.)		1	56220501B00E*	5.3 Q Poly Horizontal - J (Std.)
	1	13B1W2D2BBBC	Pump 04 (0.076 cu. in.)		1	56220501B02E*	5.3 Q Poly Vertical - J
	1	13B1W2D2CBBC	Pump 05 (0.097 cu. in.)		1	56220701B00E	8.5 Q Poly Horizontal - K
	1	13B1W2D2EBBC	Pump 06 (0.122 cu. in.) (Std.)		1	56220701B02E*	8.5 Q Poly Vertical - K
	1	13B1W2D2GBBC	Pump 07 (0.152 cu. in.)		1	56220301B04E*	8.5 Q Poly Horizontal - K (Center Port)
	1	13B1W2D2JBBC	Pump 08 (0.192 cu. in.)		1	56221203A23Z*	2.1 Q Steel Horizontal - A
11	2	71F39008000B	M8 Lock Washer		1	56221403A23Z*	4.2 Q Steel Horizontal - B
12	2	71D15108085B	M8x85 Bolt (Pump 03/04)		1	56221833A23Z*	8.4 Q Steel Horizontal - S
	2	71D15108090B	M8x90 Bolt (Pump 05/06)		1	56221803B23Z*	8.4 Q Steel Horizontal - C
	2	71D15108095B	M8x95 Bolt (Pump 07/08)		1	56221A03B23Z*	10.5 Q Steel Horizontal - D
13	1	733B26202665	Pump Pilot O-ring		1	56221A53B23Z*	15.8 Q Steel Horizontal - E
14	1	733B35311390	O-ring	30	1	39G57B000C0C	Breather Cap (Res. Type F, H, J & K)
15	1	563422B20EET	Motor Connector Shaft		1	39G52E000C0C	Breather Cap (Res. Type C, D & E)
16	1	3392504A090T	2.37 GPM Flow Control		1	39G52D000C0C	Breather Cap (Res. Type A, B & S)
17	3	733B17801560	O-ring	31	4	2300PS05270Z	Poly Reservoir Mtg. Bracket
18	1	1201PV04560A	Downside Relief Adapter Block	32	4	71E14106000B	M6 Nut
19	4	71D15106025B	M6x25 Bolt	33	1	150123019A0U	Corded Control (Standard)
20	1	573000000107	Chrome Steel Ball 7mm		1	15012304001S	Corded Control (Weather Resistant)
21	1	1201PM00130M	Spring				
22	1	1201PA02550A	M10 Regulation Screw				
23	1	71E14410SLOB	M10 Nut				
24	1	5620121031AB	Central Manifold				

*Sold Separately/Special Order Only

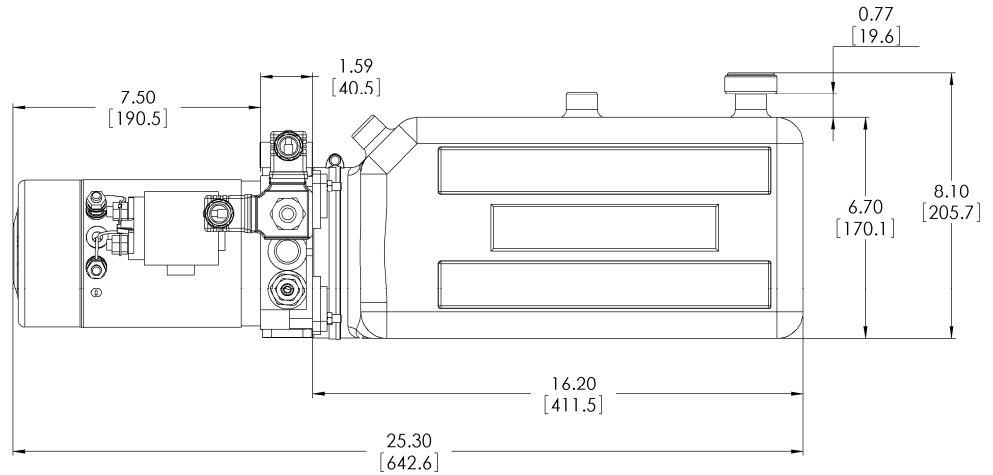
**Preliminary
Dimensions (LP1A-4****-100-C)**

In Inches (mm)

Front View



Side View



DC Power Pack Model Number Construction

<p>DC Power Pack – LP _____</p> <p>Design Number – 1 _____</p> <p>Motor 12V DC – A _____</p> <p>Function</p> <p>Pump/Motor Only - 0</p> <p>Pump/Motor/Reservoir/Enclosure - 1</p> <p>Use mounting position V</p> <p>Pump/Motor/Reservoir/Manifold Mntg. - 2</p> <p>Pad for multiple functions**</p> <p>Pump/Motor/Reservoir/3-Way - 3</p> <p>Pump/Motor/Reservoir/4-Way - 4 _____</p> <p>Mounting Position</p> <p>Horizontal (Std) - H _____</p> <p>Vertical (5.3 & 8.5 Qt. Poly Only) - V _____</p> <p>Reservoir Type</p> <p>Steel - S _____</p> <p>Polyethylene (Std) - P _____</p> <p>None - X _____</p>	<p>LP 1 A - 4 H P K 06 - 100 - C</p>	<p>Operator Control Device</p> <p>A – No Controls</p> <p>C – Corded Electronic Control</p> <p>M – Manual Control</p> <p>Assembly Code</p> <p>000 – Number increments for variations</p> <p>Pump Size</p> <p>03 – 1.00 cc/0.061 cu. in</p> <p>04 – 1.25 cc/0.076 cu. In.</p> <p>05 – 1.60 cc/0.097 cu. In.</p> <p>06 – 2.00 cc/0.122 cu. In. (Std)</p> <p>07 – 2.50 cc/0.152 cu. In.</p> <p>08 – 3.15 cc/0.192 cu. In.</p> <p>Reservoir Size*</p> <p>X - None</p> <table border="0" style="width: 100%;"> <tr> <td>Steel</td> <td>Polyethylene</td> </tr> <tr> <td>A – 2.1 Qt. (2.0 L)</td> <td>F – 1.6 Qt. (1.5 L)</td> </tr> <tr> <td>B – 4.2 Qt. (4.0 L)</td> <td>H – 3.2 Qt. (3.0 L)</td> </tr> <tr> <td>C – 8.4 Qt. (8.0 L)</td> <td>J – 5.3 Qt (5.0 L)</td> </tr> <tr> <td>D – 10.5 Qt (10.0 L)</td> <td>K – 8.5 Qt. (8.0 L)</td> </tr> <tr> <td>E – 15.8 Qt. (15.0 L)</td> <td>L – 10.5 Qt.</td> </tr> <tr> <td>S – 8.4 Qt. (8.0 L)</td> <td>with enclosure</td> </tr> </table> <p>(Function Type 1 Only)</p>	Steel	Polyethylene	A – 2.1 Qt. (2.0 L)	F – 1.6 Qt. (1.5 L)	B – 4.2 Qt. (4.0 L)	H – 3.2 Qt. (3.0 L)	C – 8.4 Qt. (8.0 L)	J – 5.3 Qt (5.0 L)	D – 10.5 Qt (10.0 L)	K – 8.5 Qt. (8.0 L)	E – 15.8 Qt. (15.0 L)	L – 10.5 Qt.	S – 8.4 Qt. (8.0 L)	with enclosure
Steel	Polyethylene															
A – 2.1 Qt. (2.0 L)	F – 1.6 Qt. (1.5 L)															
B – 4.2 Qt. (4.0 L)	H – 3.2 Qt. (3.0 L)															
C – 8.4 Qt. (8.0 L)	J – 5.3 Qt (5.0 L)															
D – 10.5 Qt (10.0 L)	K – 8.5 Qt. (8.0 L)															
E – 15.8 Qt. (15.0 L)	L – 10.5 Qt.															
S – 8.4 Qt. (8.0 L)	with enclosure															

*Useable reservoir capacity is 10% less than shown. Please note that 4 Qt. = 1 Gallon (3.78 L)

** Mounting plates and valves are sold separately, unless included in the assembly code.



Muncie Power Products, Inc. Member of the Interpump Hydraulics Group
 General Offices and Distribution Center • P.O. Box 548 • Muncie, IN 47308-0548
 (765)284-7721 • FAX • (765) 284-6991 • E-mail info@munciepower.com
 Web site http://www.munciepower.com
 Drive Products, Exclusive Agents for Canada, ISO Certified by an Accredited Registrar

