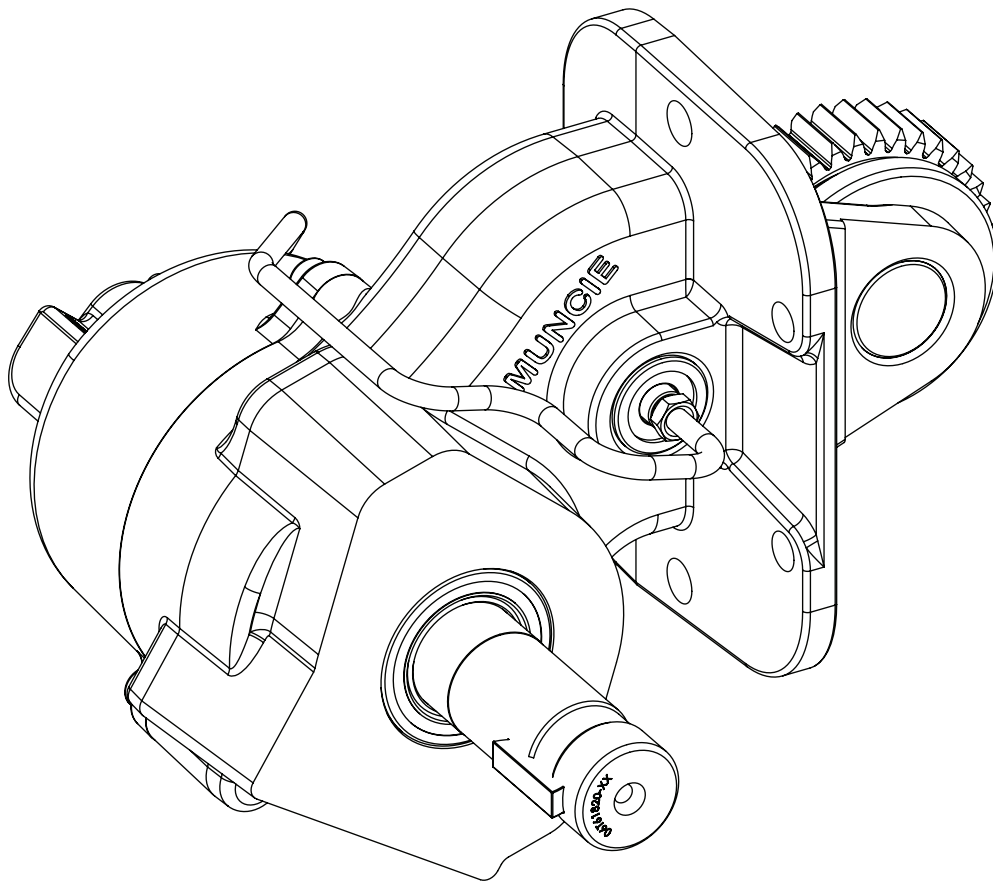




Muncie[®]
Power
Products

FR3C PTO

PARTS LIST AND SERVICE MANUAL



MODEL NUMBER CONSTRUCTION

FR3C-F12 09-F 3 B X

PTO Type

FR3C — Ford 6-Bolt

Transmission Input Gear Option

F12 — Ford 12.18P

Speed Ratio

09 — 0.90:1

Shift Types

6 — Electric/Hydraulic F-650—F-750 Diesel Engine

F — Electric/Hydraulic F-650—F-750 Gas Engine

Special Feature

X — None

Output Type

B — 1¼" Round Keyed Shaft

Assembly Arrangement:

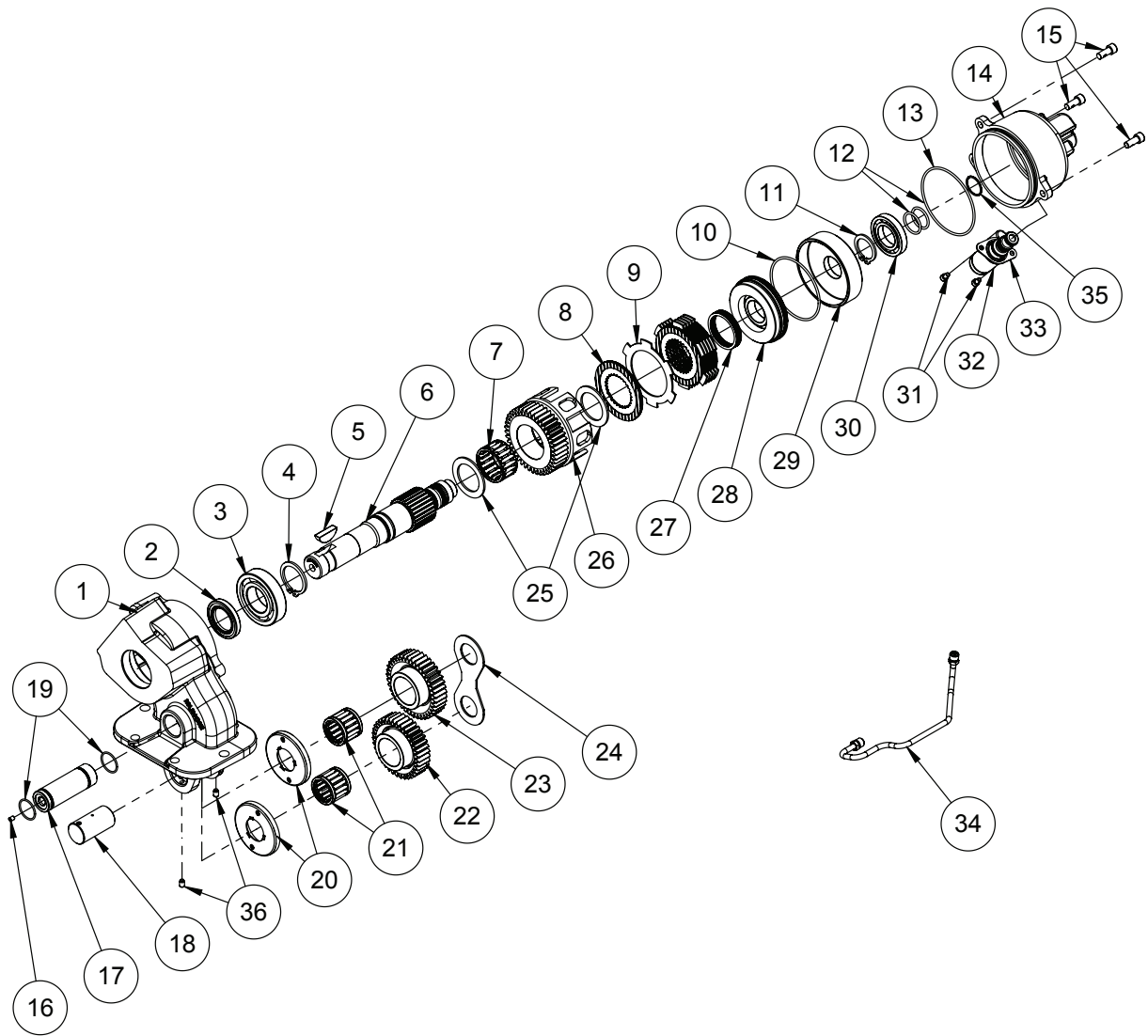
3 — Left Side Shaft Low

Other Literature

IN10-01 — Installation and Operator's Manual

MP16-01 — FR3C Series spec brochure

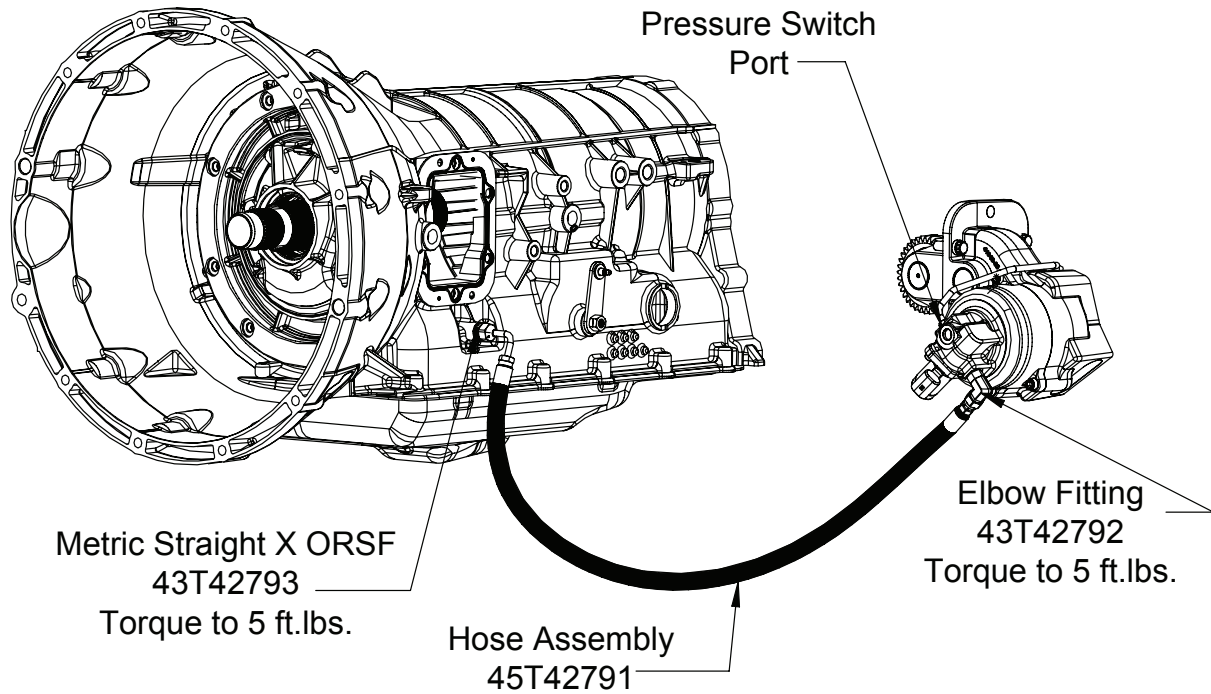
EXPLODED VIEW



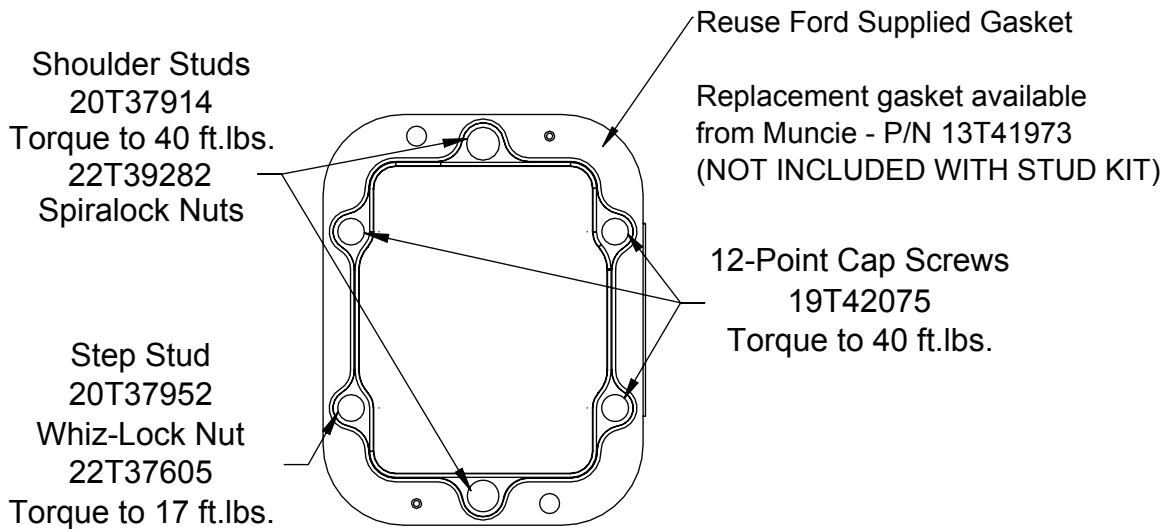
ITEM	QTY	PART NO.	DESCRIPTION	ITEM	QTY	PART NO.	DESCRIPTION
1	1	01T61819	Housing	19	2	12T35577	O-Ring
2	1	11T61821	Shaft Seal	20	2	49TA5304	Drag Element
3	1	10T21017	Output Bearing	21	2	10T39145	Needle Bearing
4	1	24T35480	Snap Ring	22	1	03T61917	Input Gear
5	1	26T01627	Woodruff Key	23	1	04T61918	Idler Gear
6	1	06T61820	Output Shaft	24	1	10T42016	Thrust Plate
7	1	10T37008	Needle Bearing	25	2	21T39080	Spacer
8	7	49T61803	Friction Disc	26	1	02TA6098	Output Gear
9	6	49T36258	Spacer Disc	27	1	27T61827	Spring
10	1	12T36540	O-Ring	28	1	49T61822	Piston
11	1	24T39182	Snap Ring	29	1	49T39022	Piston Cup
12	2	12T39023	O-Ring	30	1	10T39072	Bearing
13	1	12T36863	O-Ring	31	2	19T62950	Cap Screw
14	1	15T62484	Cover	32	1	35T43600	Solenoid Valve
15	3	19T35237	Cap Screw	33	1	49T62436	Solenoid Retaining Ring
16	1	43T42757	Orifice	34	1	43T42664	Lubrication Tube Assembly
17	1	08T42756	Idler Shaft	35	1	12T36280	O-Ring
18	1	07T42755	Input Shaft	36	2	19T34789	Set Screw

FR3C INSTALLATION KITS

FR3C Electric/Hydraulic Shift System – Activation Kit Common Componentry



Stud Kit (20TK5215) Installation Details



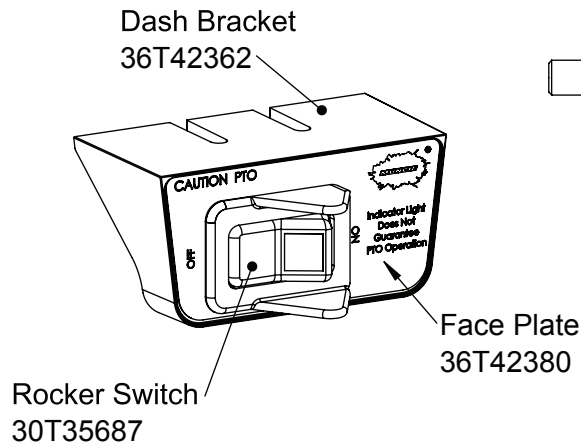
SEE IN 10-01 FOR MOUNTING DETAILS

FR3C ACTIVATION KITS

“X” Special Feature – Stationary *Or* Mobile

48TK5684 – Elec/Hyd Shift/System “6X” DIESEL; Wire Harness 34T43730

48TK5680 – Elect/Hyd Shift System “FX” GAS; Wire Harness 34T43735



Pressure Switch with -2 SAE Fitting
30T60223

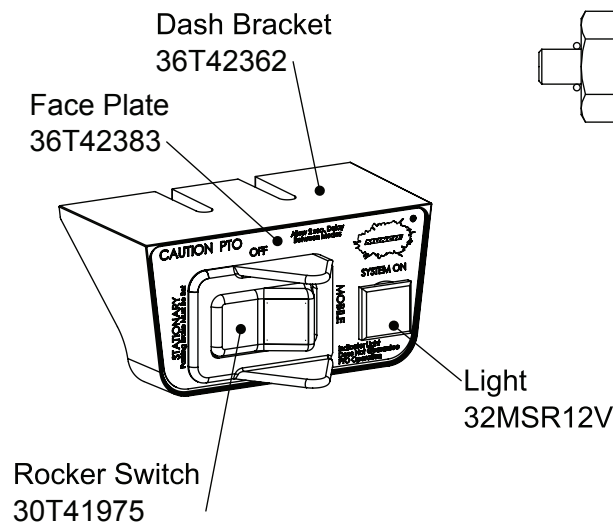
Diesel Only - Gas requires 49TK5533
Remote Mount Pressure Switch Kit
See Next Page for Details

Not Shown -
28T35442 - Cable Ties (6 PCS)
36MK1007 - Dash Bracket Bolt Kit
37T35674 - Grommet

“B” Special Feature – Stationary *And* Mobile

48TK5682 – Elec/Hyd Shift/System “6B” DIESEL; Wire Harness 34T43740

48TK5676 – Elect/Hyd Shift System “FB” GAS; Wire Harness 34T43745



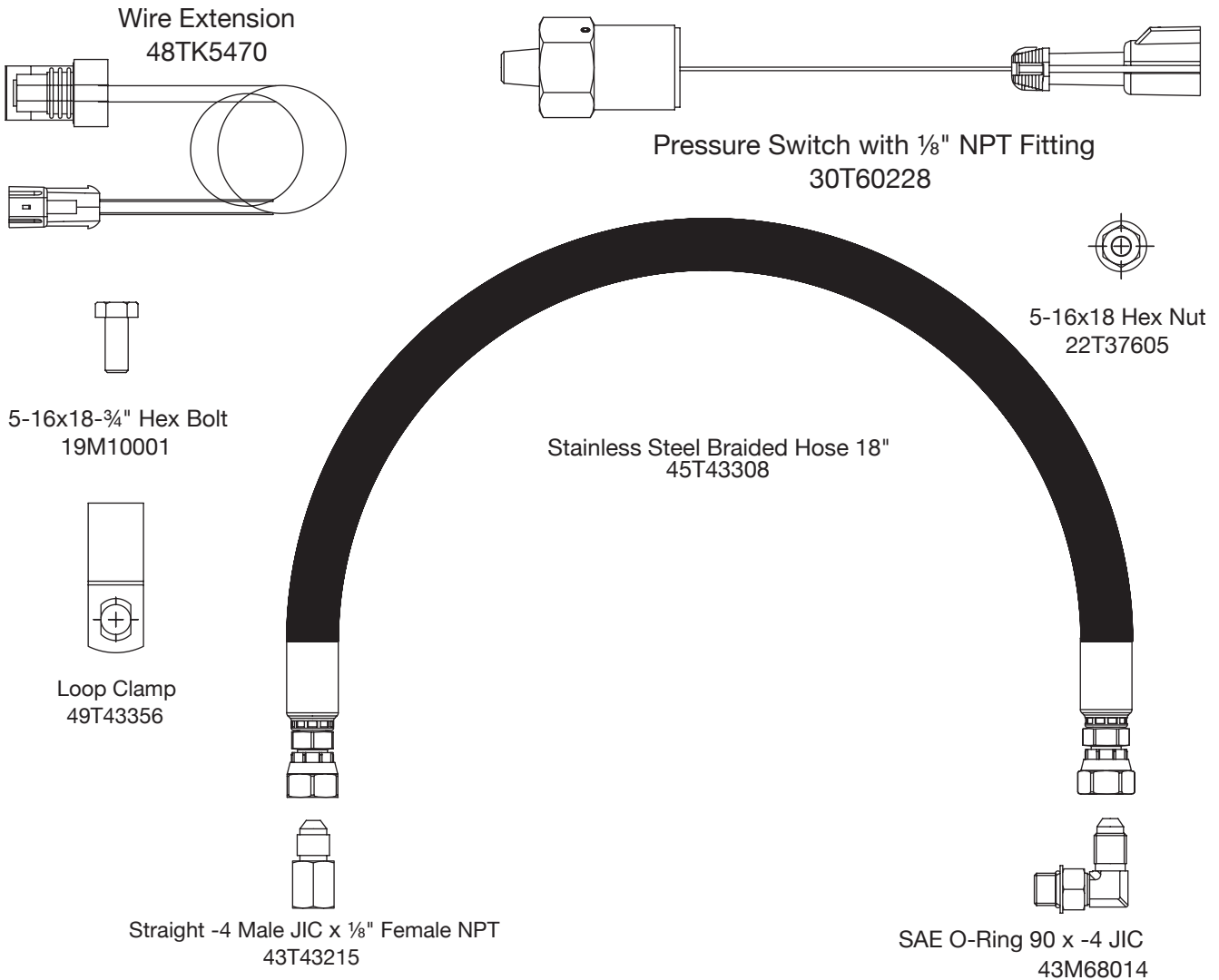
Pressure Switch with -2 SAE Fitting
30T60223

Diesel Only - Gas requires 43TK5527
Remote Mount Pressure Switch Kit
See Next Page for Details

Not Shown -
28T35442 - Cable Ties (6 PCS)
36MK1007 - Dash Bracket Bolt Kit
37T35674 - Grommet
36T41941 - Visor Decal

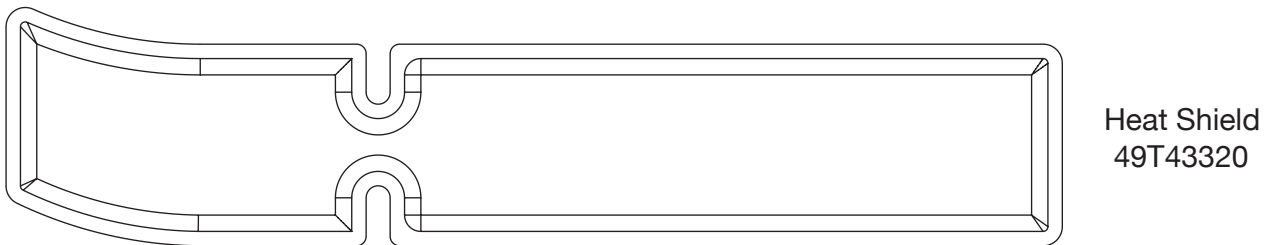
48TK5527 – Remote Mount Pressure Switch Kit Parts List

(Required with FX and FB Shift Options ONLY)



49TK5533 – Heat Shield Kit Parts List

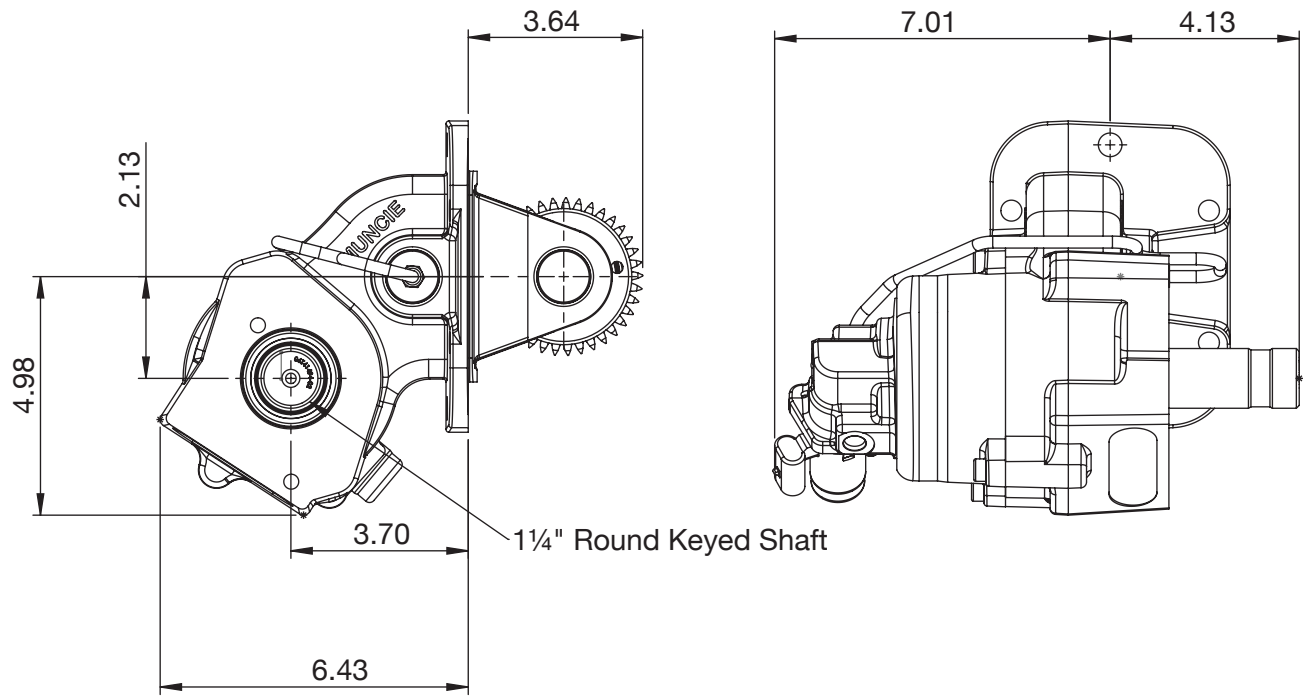
(Required with FX and FB Shift Options ONLY)



Includes 48TK5557 fastener kit

DIMENSIONS

FR3C-F1209-*3B*





**Muncie[®]
Power
Products**

A Member of the Interpump Group

SP16-03 (Rev. 08-22)

201 East Jackson Street, Muncie, Indiana 47305
800-367-7867 • Fax: 765-284-6991 • info@munciepower.com

Specifications are subject to change without notice. Visit www.munciepower.com
for warranties and literature. All rights reserved. © Muncie Power Products, Inc. (2017)